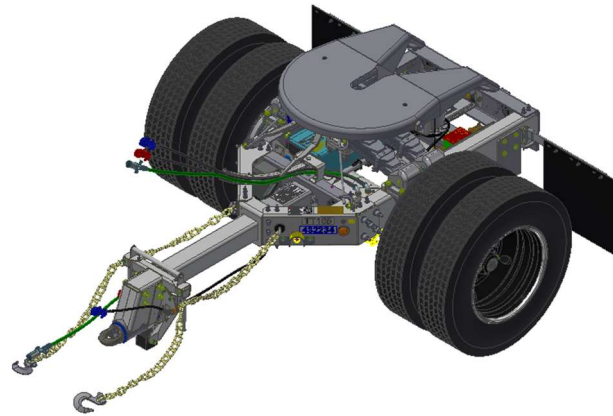


OPERATION PROCEDURES PARTS & SERVICE MANUAL

As built for
UPS



**SILVER EAGLE MODEL TST20
PART #30500**



5825 NE Skyport Way - Portland, OR 97218
(503) 281-0727 - (800) 547-6792 - (503) 335-2171 Fax
www.silvereaglemg.com

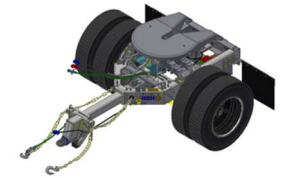
Table of Contents

MAINTENANCE PROCEDURES

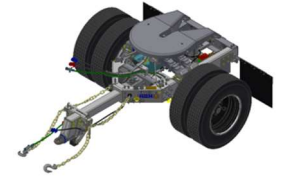
Warranty.....	3
Converter Dolly Required Maintenance	4
Silver Eagle Fifth Wheel – Jaw Removal	5
Trip Block Spring Removal / Installation	6 – 7
Drawbar Eye Removal / Installation	8
System Schematic	9

PARTS LISTING

Master Assembly.....	10 – 13
Major Assembly.....	14
Air Assembly.....	15 – 16
Electrical Assembly.....	17
Hydraulic System Assembly.....	18 – 19
Axle Assembly.....	20
Fifth Wheel Assembly.....	21 – 22



FLEET WARRANTY PROGRAM



Warranty/Disclaimer

All products manufactured by Silver Eagle are warranted to the original buyer, for a period of twelve months after date of shipment, to be free of any defects in materials and workmanship, and to conform to their specification.

Silver Eagle will repair or replace, at its option, any products or components which are found to be defective or nonconforming, provided that Buyer gives written notice of the defects or nonconformity within the warranty period. Buyer shall return defective or nonconforming products or components to Silver Eagle at its manufacturing facility in Portland, Oregon. Silver Eagle will return the product or component to Buyer, freight prepaid, to any location in the continental United States. Silver Eagle warrants that any Manufacturer Warranty extended to the major components listed below are valid and assignable to Buyer. We agree to assign any such warranty to Buyer on these major components and such warranty periods will govern upon successful assignment of the warranty. Major components: Axle assembly; tires; wheels; jack assembly; electrical harness; lights.

This warranty shall be void in case of: (a) any Buyer modifications not expressly approved by Silver Eagle; (b) use of non-authorized replacement parts; (c) misuse or failure to maintain or service the product in accordance with Silver Eagle recommendations.

THIS WARRANTY IS IN LIEU OF ALL OTHER WARRANTIES OR OBLIGATIONS, EXPRESS OR IMPLIED, INCLUDING ANY IMPLIED WARRANTY OF FITNESS FOR A PARTICULAR PURPOSE.

If you have a possible Warranty issue, please contact our Warranty Department immediately at (800) 547-6792 this will expedite repair, and assure replacement parts are shipped as soon as possible.

To assist us in rapidly making a warranty determination

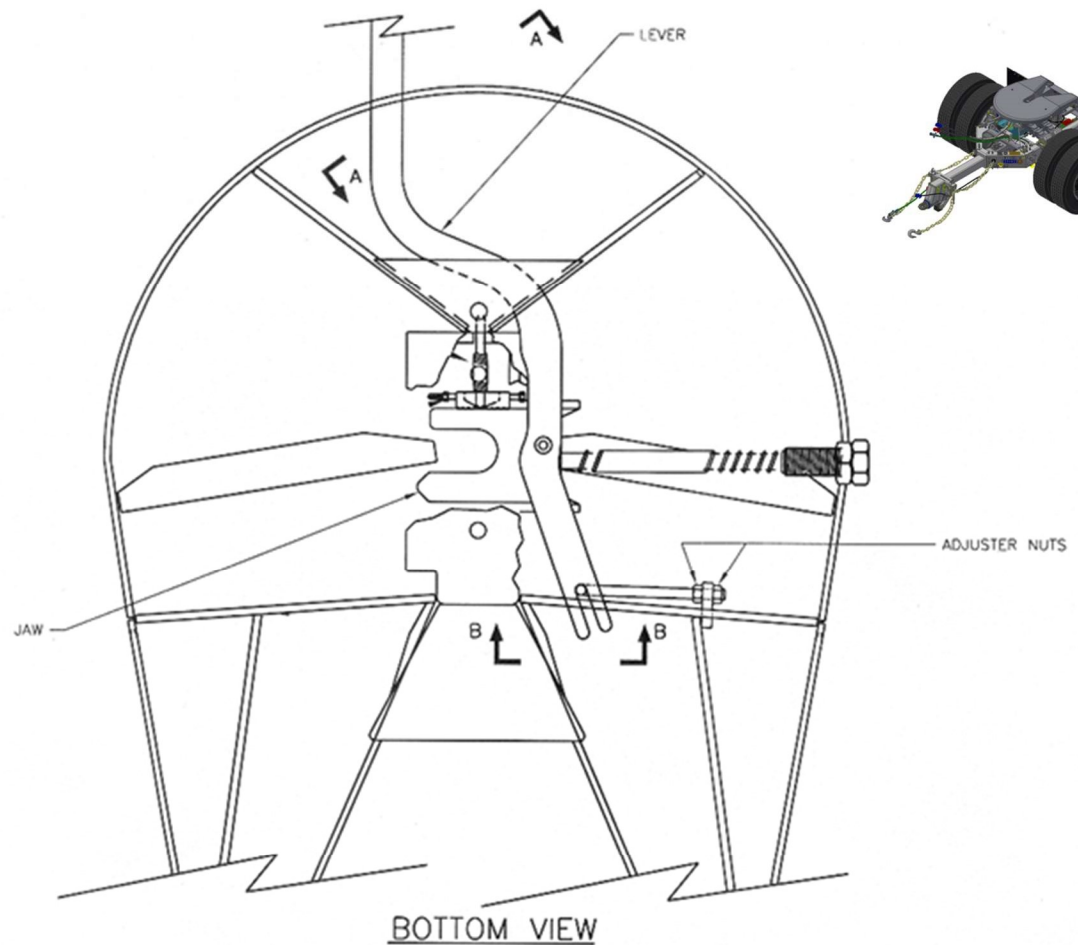
- Keep parts or take pictures as instructed by our Warranty Department.
- Repairs under warranty will not exceed the labor rate authorized by Warranty Department.
- If necessary, we may ask you to submit your claim in writing within 30 days.
- To speed repairs, we will ship any necessary parts or items. It is understood that, you will be billed normally for all items shipped until a determination has been made.

All returned warranty components are to be sent to the attention of Warranty Department

**Silver Eagle Manufacturing Company
5825 NE Skyport Way
Portland, OR 97218**

PERFORMANCE TESTING/ADJUSTMENTS

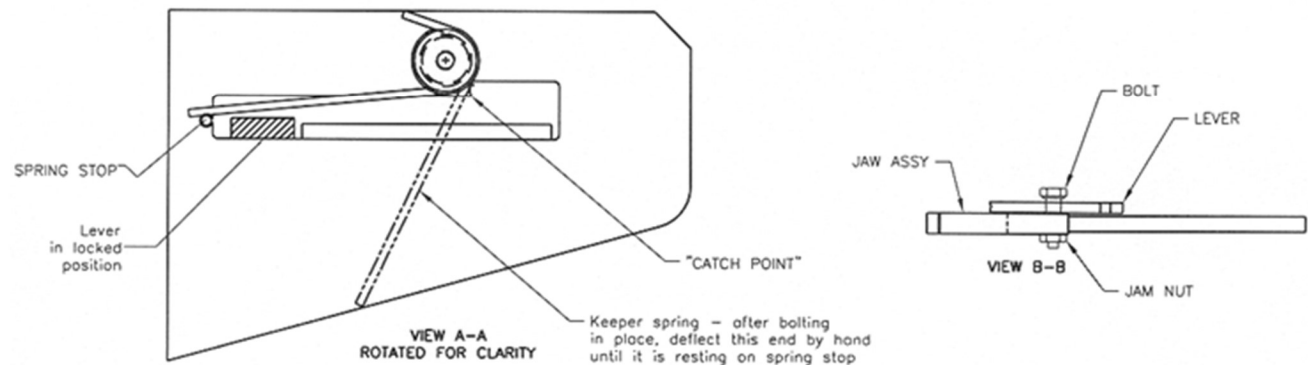
1. Pull the lever into the uncoupling position. This is where the lever is pulled out and held up by the "Catch Point" indicated in view A-A. If the lever won't stay up, the adjuster nuts on the adjuster at the back end of the lever are probably screwed in too far. Back them off until lever will stay on the catch point.
2. Test the 5th wheel for proper coupling with a test kingpin. Test with the lever in the uncoupling position. If it doesn't release from the "catch point", then the adjuster nuts probably need to be screwed in further.
3. With the jaw closed or in the coupled position, pick the lever up and out of the locked position. Hold the lever just shy of falling back into the locked position. Release the lever to ensure that it passes freely into the locked position.
4. When 5th Wheel functions properly, tighten the lever adjuster locknut securely.



BOTTOM VIEW

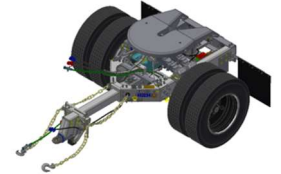
ADJUSTMENT OF LEVER & JAW ASSEMBLY

1. Release Jam Nut (refer to View B-B)
2. Tighten bolt until lever is secure against Jaw assembly.
3. Loosen bolt ¼ turn or until assembly moves freely.
4. While holding bolt secure from turning, tighten jam nut.

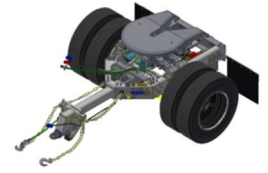


SILVER EAGLE FIFTH WHEEL MAINTENANCE

Jaw Removal (Refer to Diagram D)



1. Make sure the jaw is closed. If not, it can be closed by pushing the trip block (26) forward with a rod or bar. The jaw should be all the way across the center casting (the handle will be in). **Caution: Keep your hands clear of the jaw, it is spring-loaded.**
2. Using a pair of vise grips, clamp the trip lock rod in front of the guide hole on 5th wheel center casting (26) so as to prevent it from moving aft when jaw is removed.
3. When removing the guide bolt (23), applying an anti-seizing compound to the exposed threads often makes the removal process easier.
4. Remove the jaw spring (22) by pulling it through the push rod guide nut.
5. Pull the fifth wheel lever (17) all the way out.
6. Disconnect the fifth wheel lever (17) from the jaw/pushrod assy (25).
7. Remove the jaw/pushrod assy (25) from the 5th wheel table.
8. Lubricate and install the replacement jaw/pushrod assy (25) in the table making sure the pointed tine on the jaw is to aft end of the dolly
9. Slide jaw/pushrod assy in place without spring. Align hole in jaw with mating hole in lever.
10. Apply loctite 242 medium strength thread adhesive or equivalent to cleaned threads of capscrew (16) and jam nut.
11. Thread capscrew (16) into jaw/pushrod assy (25) with two washers (7) between the capscrew head & the lever. Torque the jaw bolt to approximately 70 ft-lbs. The lever should have minimum clearance to allow free rotation against the jaw without binding through its full travel.
12. Tighten the jam nut (1/6-1/4) turn – after contacting the jaw while ensuring the capscrew does not turn.
13. Slide pushrod spring (22) on push rod of the jaw.
14. While holding lever back far enough so the jaw pushrod protrudes into the guide nut, tighten the guide nut (23) securely
15. Remove the vise grips from the trip block rod.
16. Test the table to ensure the jaw opens and closes properly.



Jaw Spring Removal/ Reassembly (item 22)

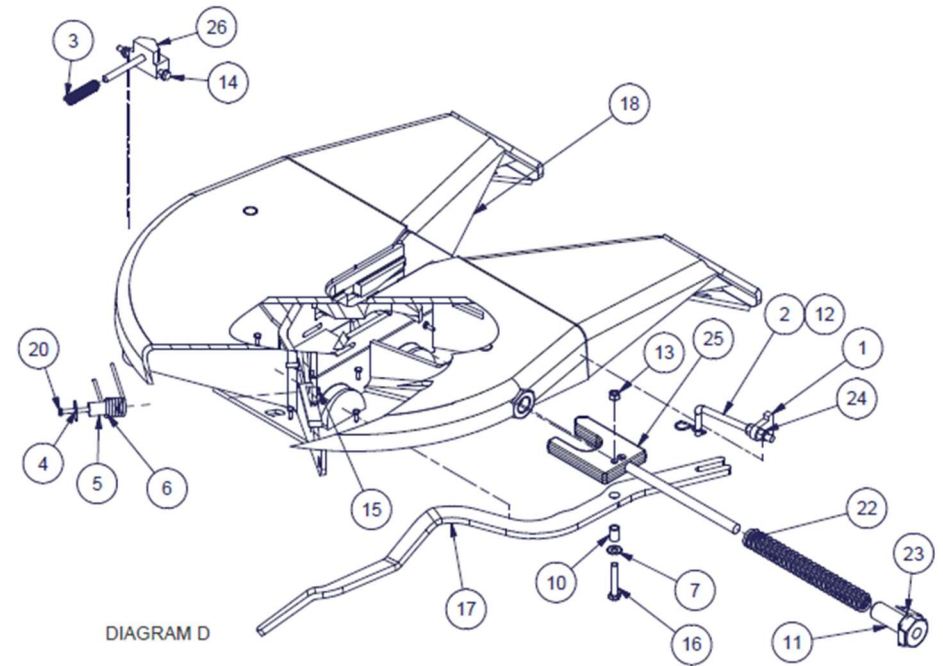
- Complete steps 1 through 4 of Jaw Removal.
- Completes steps 13 through 17.

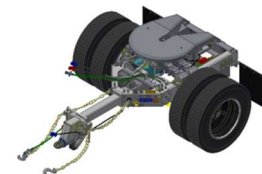
Lever Removal/ Reassembly (item 17)

- Remove lever (17)
- During Reassembly make sure the 2" jam nut is jammed to the 2" standard nut.
- Test the table to ensure the jaw opens and closes properly.

Lever Removal/ Reassembly

- Complete step 1 & 6 of jaw removal
- Install new lever
- Complete steps 10 thru 12 of jaw removal.
- Test the table to ensure the jaw opens and closes properly.

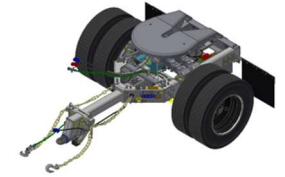




TRIP BLOCK / TRIP BLOCK SPRING REMOVAL / REASSEMBLY

- Complete steps 1 through 5
- Remove the 3/8 bolt, 3/8 lock nut and the two 3/8 washers
- Release the vise grips. **Caution: The trip block is under spring Pressure. Keep hands clear of it when releasing vise grips.**
- Remove the trip block (26) and the trip block spring through the throat of the 5th wheel table. **Caution: The jaw is under spring pressure. Use pliers or another suitable devise to remove old trip block and spring.**
- Install the new trip block and / or trip block spring in the throat of the 5th wheel table. **Caution: The jaw is under spring pressure. Use pliers or another suitable devise to install new trip block and spring.**
- Push the trip block (26) as far forward as possible, with a rod or bar and reinstall vise grips to the trip block rod of item (26) in front of 5th wheel center casting.
- With anti-seize applied to the 3/8 bolt, reinstall the bolt, two washers and lock nut making sure the trip block can freely move fore and aft when pushing on it with a rod or bar (leaving the lock nut 1/6"-3/32" from being fully tightened should work well).
- Release the vise grips. **Caution: The trip block is under spring pressure. Keep hands clear of it when releasing vice grips.**
- Test the table to ensure the jaw opens and closes properly.

DRAWBAR EYE REMOVAL & INSTALLATION INSTRUCTIONS



1. Place dolly under a trailer. Set brakes on trailer and dolly.
2. Remove safety wire if present, on 1283 nut.
3. Remove 1283 nut and 1193 washer or 15315 and 15660
4. Use forklift or eye removal tool (Silver Eagle part no. 15314) to pull against drawbar eye and remove it from the shock housing.
5. Clean any debris from inside of shock absorber bushing and lubricate with rubber lubricant or soapy water
6. Lubricate the shock absorber bushing with rubber lubricant or soapy water and install into the shock housing.
7. Lubricate the shank of the new drawbar eye with rubber lubricant or soapy water and install into the shock housing.

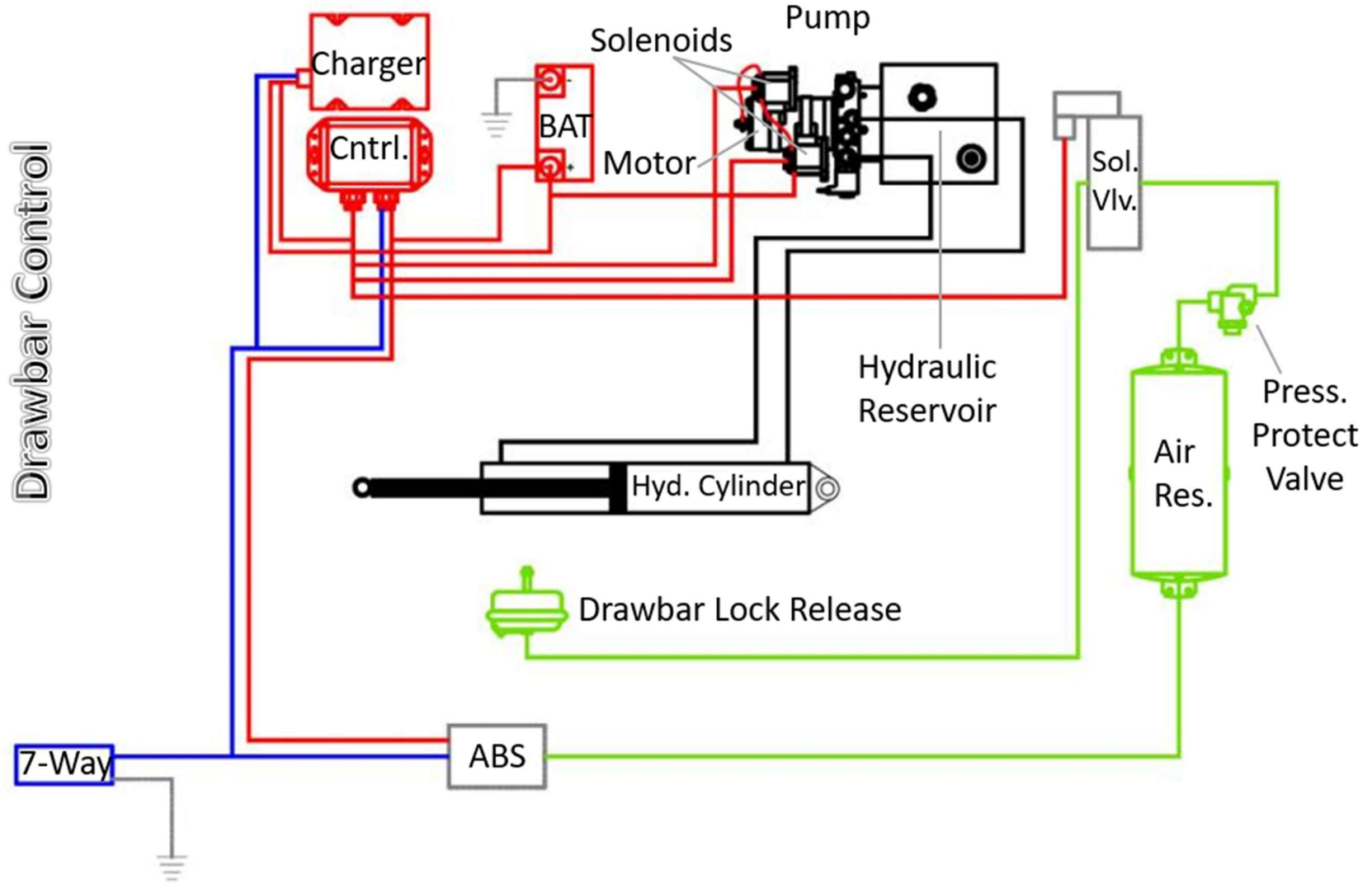
NOTE: The shank of the drawbar eye will only be able to be pushed into the shock absorber bushings a little way by hand. There are three methods of pushing it in the final amount:

- (1) Place the dolly under a trailer or up against a solid wall. Set the brakes on the trailer and dolly. Use a forklift or hostler to push against the drawbar eye until it is seated on the shock absorber bushing.
 - (2) Use a sledge hammer to hammer on the end of the drawbar eye until it is seated in the shock absorber bushing.
 - (3) Use the eye removal tool as #4 above.
8. After the drawbar eye is in place, clean the threads on the shank. **VERY IMPORTANT:** Coat the threads with Never-SeeZ, pipe compound, or some other similar product. to prevent corrosion and keep the nut from seizing.
 9. Install a new washer and thread the nut onto the shank.
 10. Tighten the nut until the rubber shock absorber bushing bulges toward the outer edge of the shock housing at the corners – this is approximately 400-500 ft/lbs of torque.

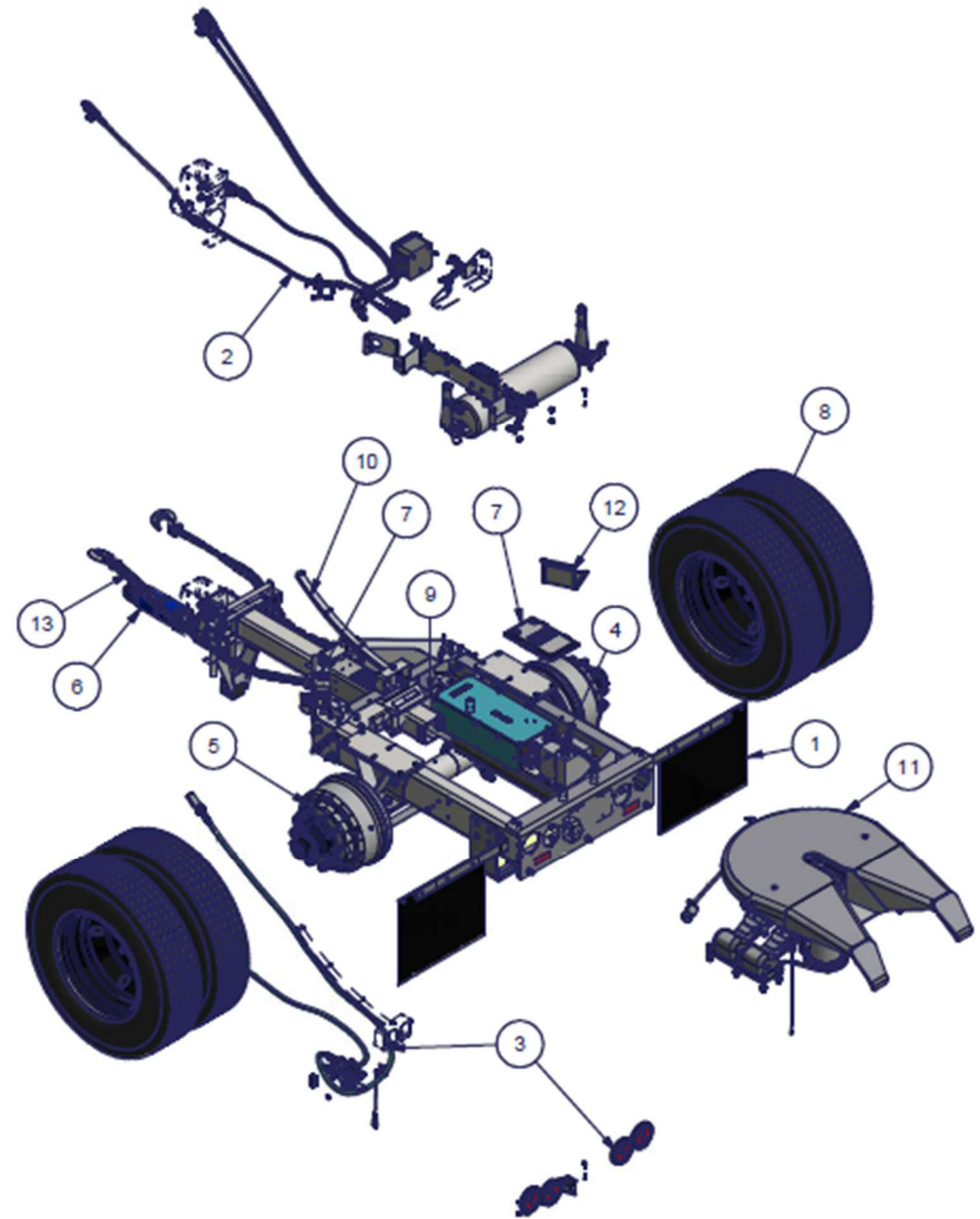
NOTE: Shock absorber bushing may split if tightened excessively.

11. Install the safety/ground wire through one side of the nut and shank. This is accomplished by drilling through one side of the nut and shank providing a hole for the bolt and nut securing the safety wire. This completes the ground circuit and prevents the nut from backing off.
12. Periodically check the tightness of the nut and adjust as necessary. You should not be able to turn the lunette eye by hand at any time.

System Schematic

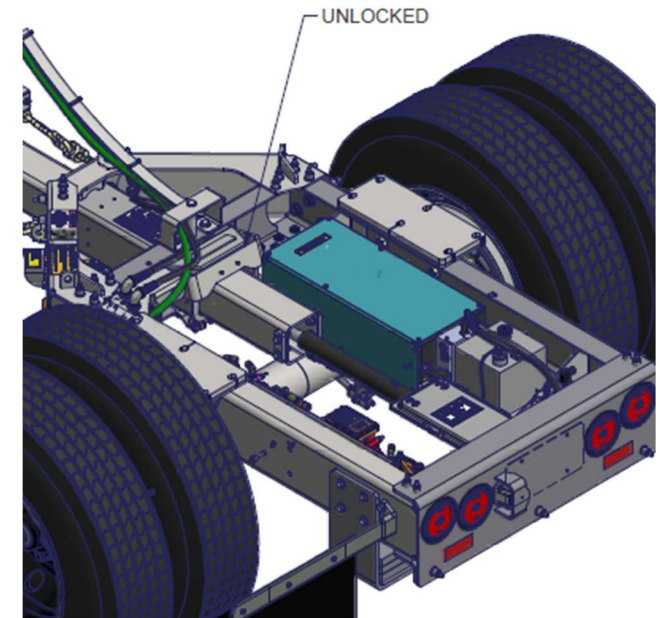
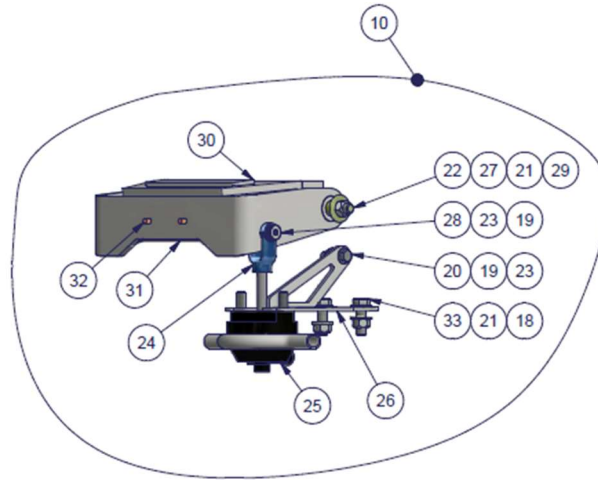


Master Assembly: 30500

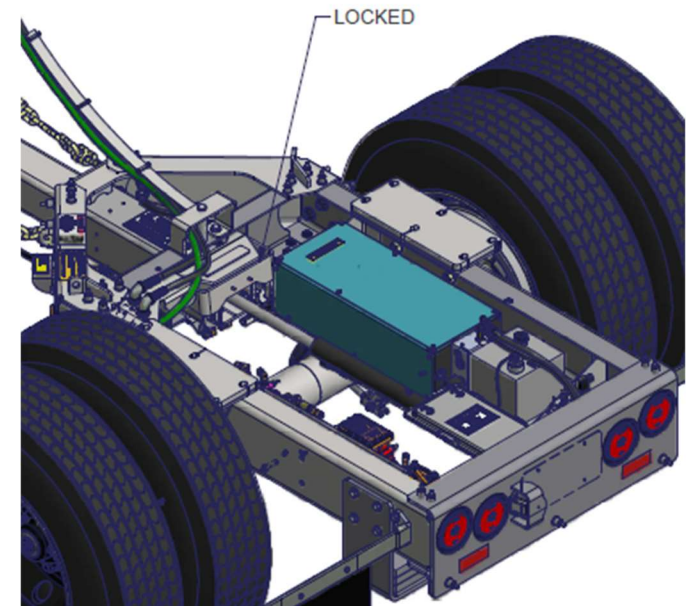


ITEM	QTY	PART	DESCRIPTION
1	1	30568	FRAME ASSY, TST20
2	1	30728	AIR SYSTEM ASSY, TST20
3	1	30729	ELECT SYSTEM ASSY, TST20
4	1	30730	HYD SYSTEM ASSY, TST20
5	1	31049	INSL, AXLE ASSY, TST20
6	1	31050	INSL, DRAWBAR, TST20
7	1	31085	INSL, DECAL/REGISTRATION BOX, TST20, UPS
8	4	32885	TIRE/WHL YOK RY587 295/75R22.5, 39.8 UPS PKG
9	1	33055	INSL, DWB LOCK SYSTEM, TST20
10	1	34053	INSL, CABLE TENDER ASSY, UPS, TST20
11	1	34793	INSL, TABLE INTERLUBE, TST20
12	1	35495	INSTAL, EXPD MTL BASKET, TST20
13	2	36325	SAFETY CHAIN ASSY 1/2 RT U-BOLT W/5T CL HOOK

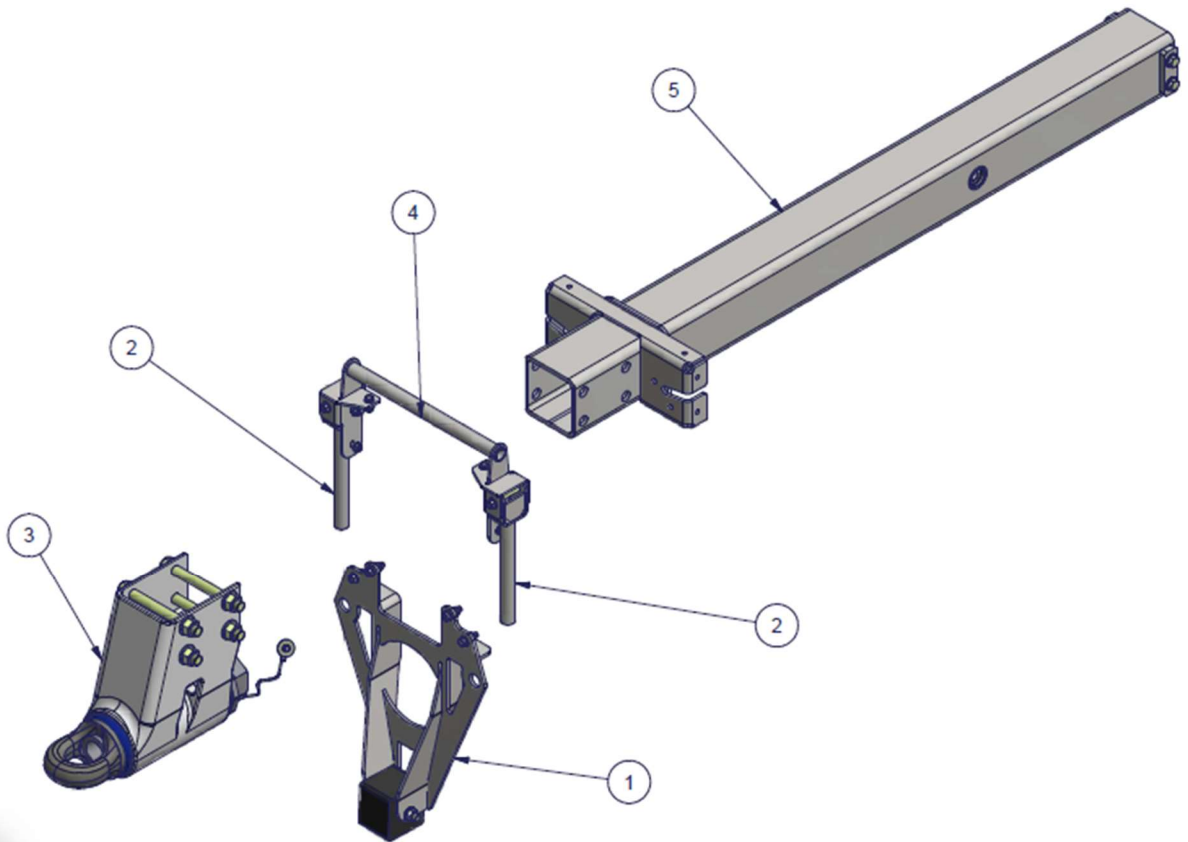
Drawbar Lock System: 33055



ITEM	QTY	PART	DESCRIPTION
18	4	1150	WASHER, 1/2", FLAT, SAE, PLTD
19	3	1273	WASHER 3/8 SAE PLTD
20	1	19076	CAPSCREW 3/8-16 X 1-1/2 HX GR 8 PLTD
21	4	1942	NUT 1/2-13 METAL LOCK HX GR C PLTD
22	2	21536	CAPSCREW 1/2-13 X 2-1/4 GR 8 ZINC PLTD HX
23	2	2451	NUT 3/8-16 METAL LOCK HX GR C PLTD
24	1	33057	CLEVIS & PIN, 1/2-20, UNIVERSAL
25	1	33058	AIR CHAMBER TYPE 09, 10.4" ROD, HALDEX
26	1	33060	WLDMNT, DWB LOCK AIR CHAMBER MNT, TST20
27	4	3369	WASHER 1/2 FLAT WIDE PLTD
28	1	33690	BOLT, SHOULDER, 1/2 X 1-1/4, ALLOY STEEL
29	2	34339	TUBE, BUSH SLEEVE LOCK HOOP, TST20
30	1	34846	WLDMNT, LOCK HOOP, TST20
31	1	34872	LINER, TEFLON/DELTRIN LOCK HOOP PAD, TST20
32	2	9659	HUCK, MAGNA-LOK, MGL100-R8-12, .415-.725
33	2	9706	CAPSCREW 1/2-13 X 1 1/2 HX GR 8 PLTD

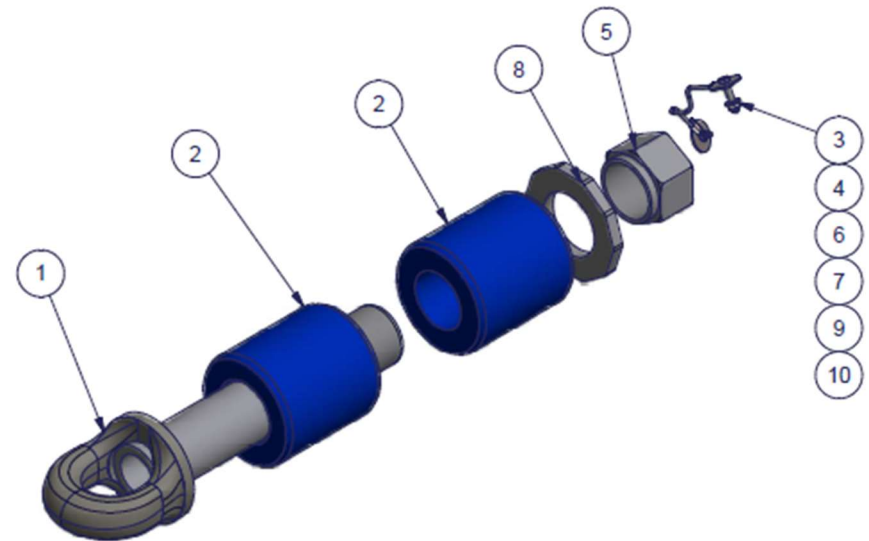
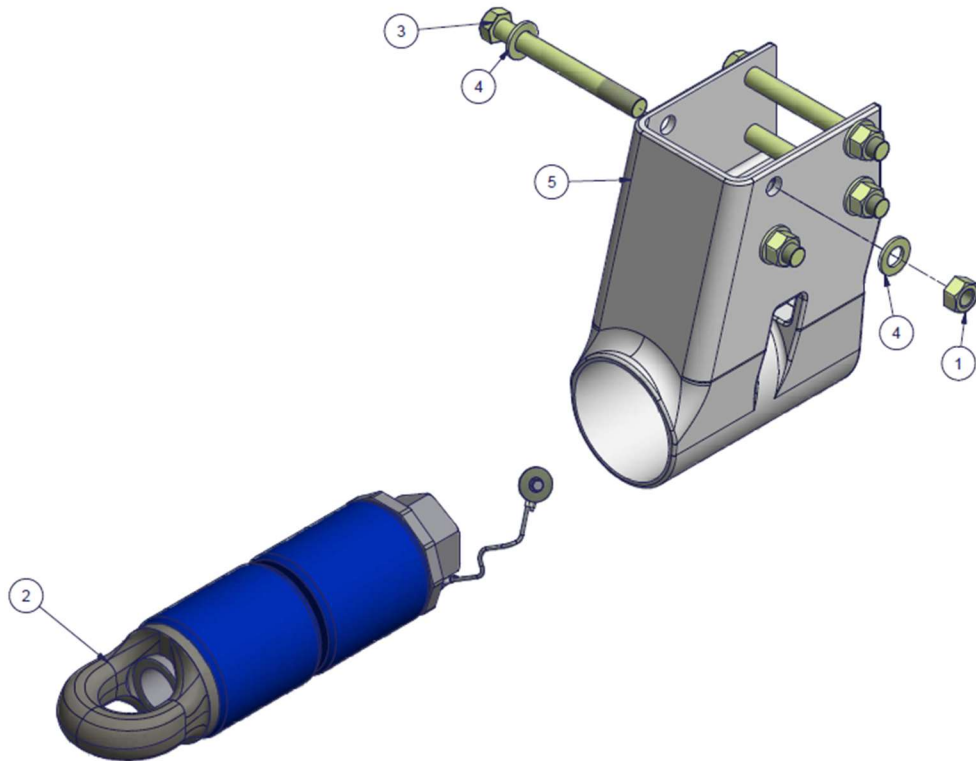


Drawbar System: 31050



ITEM	QTY	PART	DESCRIPTION
1	1	33021	INSTL, STIFF LEG, TST20
2	2	33104	INSTL, HANDLE, TST20
3	1	33105	INSTL, DWB NOSE, TST20
4	1	34261	INSTL, TOP HANDLE, TST20
5	1	34912	INSTL, SLIDER ASSY, TST20

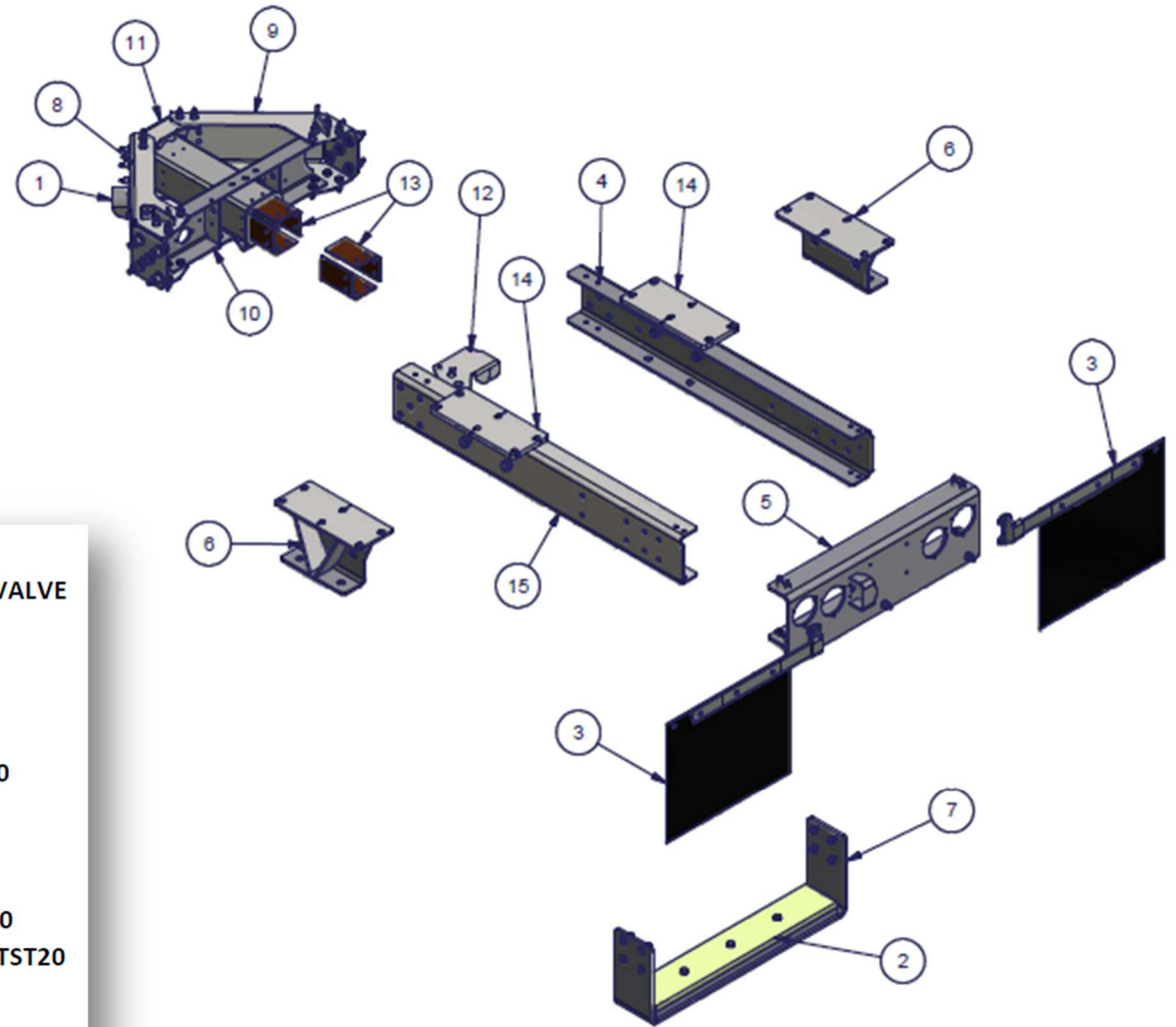
Drawbar Nose: 33105



ITEM	QTY	PART	DESCRIPTION
1	4	12676	NUT 3/4-10 METAL LOCK HX GR 8 PLTD
2	1	24405	KIT,EYE&SHANK,HEX NUT,W/SFTY WIRE, POLLY BUS
3	4	29392	CAPSCREW 3/4-10 X 7 HX GR 8 PLTD
4	8	3367	WASHER 3/4 FLAT F436 HRDN PLTD
5	1	35725	CAST, DWB NOSE 8" OFFSET, TST20

ITEM	QTY	PART	DESCRIPTION
1	1	1171	EYE & SHANK, 3/8, HRDN
2	2	12171	BUSHING, SHOCK ABS ROUND POLYURETHANE
3	1	1374	WASHER 1/4 SAE PLTD
4	1	1401	NUT 1/4-20 METAL LOCK HX GR C PLTD
5	1	15315	NUT, SHANK, HEX
6	2	1564	WASHER 1/4 X 1-1/4 FENDER PLTD
7	1	1566	SCREW, 1/4-20 UNC X 1/2, WSHD, THD-FRMG, HX, PLTD
8	1	15660	WASHER, SHANK, DRAWBAR EYE, 1/2", HEX NUT
9	1	1585	SAFETY WIRE ASSY, 1/8 X 7
10	1	4164	CAPSCREW 1/4-20 X 1-1/4 HX GR 5 PLTD

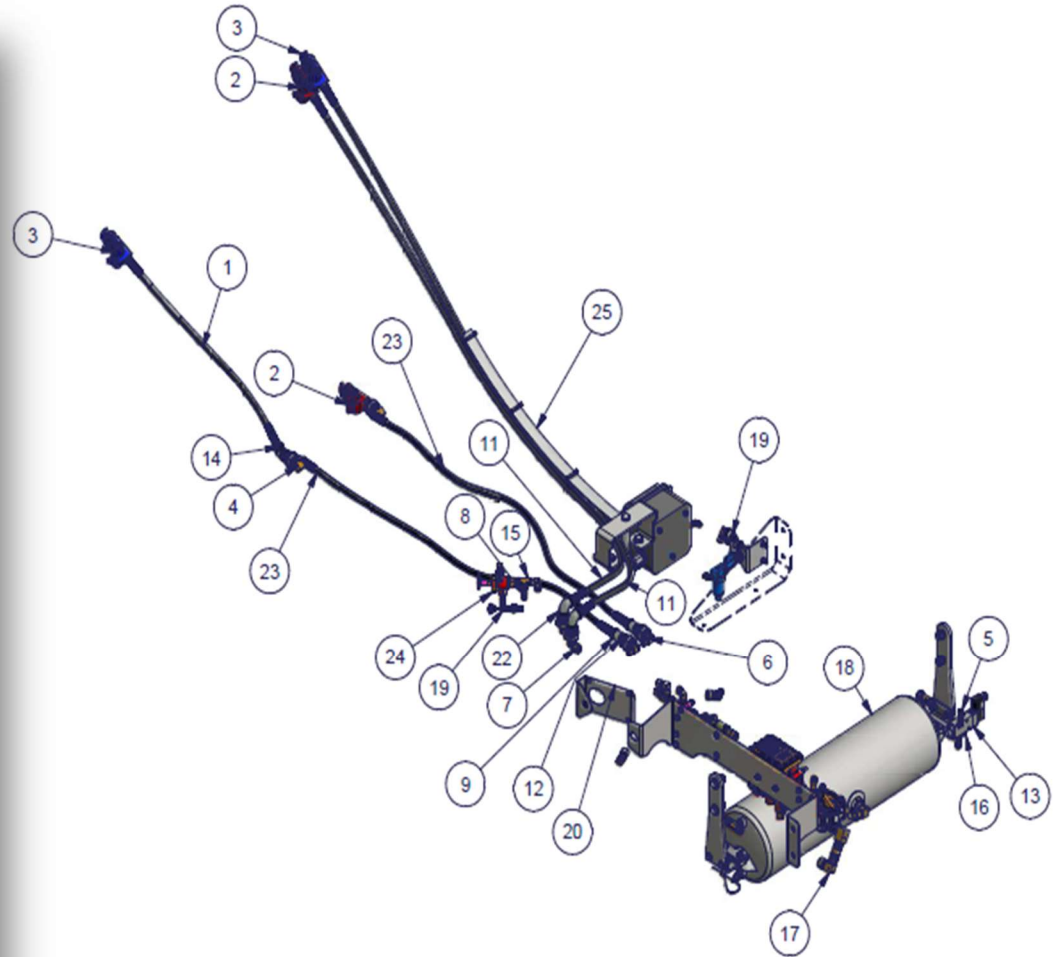
Major Assembly: 30568



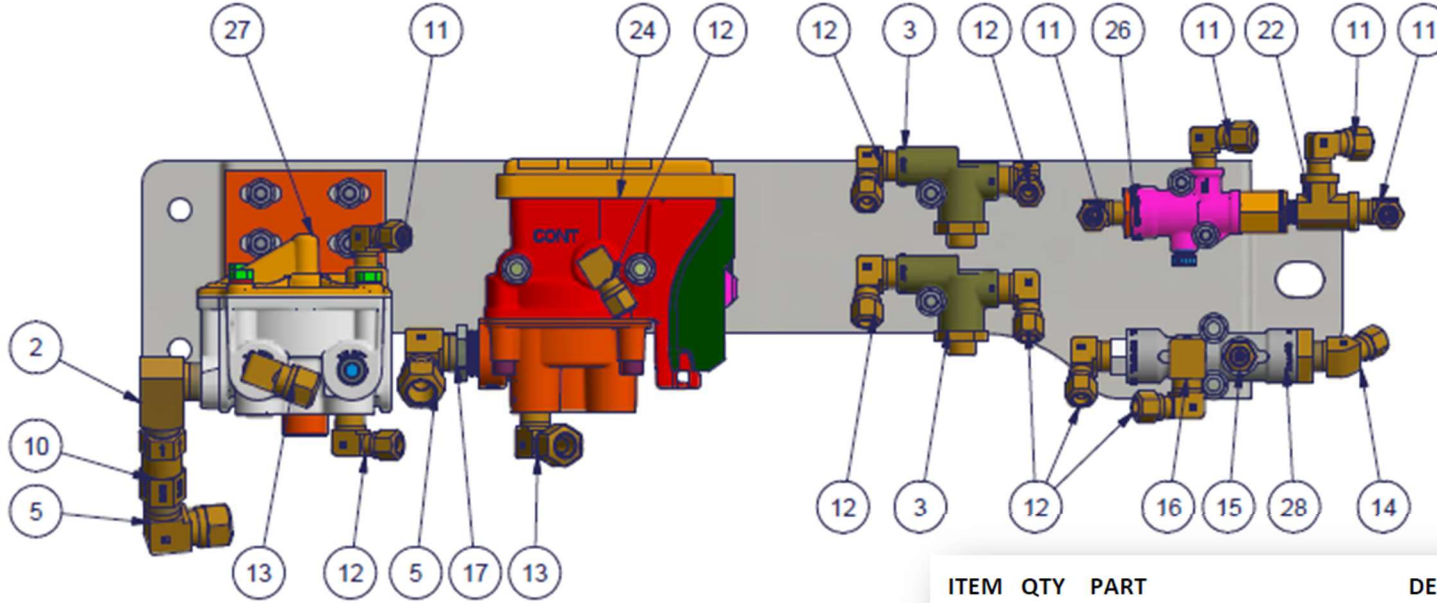
ITEM	QTY	PART	DESCRIPTION
1	1	17779	INSTALLATION, GUARD, PUSH-PULL VALVE
2	1	22223	INSTALLATION, 120# BALLAST, VII,
3	1	25976	INSTALLATION, ECO MUD FLAPS UPS
4	1	30566	PL, SIDE CHANNEL CS, TST20
6	1	30572	WLDMNT, TAIL PLATE, TST20
7	2	30586	WLDMNT, TALL SIDE SUPPORT, TST20
8	1	30965	INSTL, BALLAST HANGER
9	1	32973	WLDMNT, DWB RS, TST20
10	1	32974	WLDMNT, DWB CS, TST20
12	1	34844	WLDMT, FRNT CROSSMEMBER, TST20
13	1	34845	WLDMNT, OUTER SLIDER HOUSING, TST20
14	1	34848	PL, SENSOR MNT, TST20
15	8	34867	LINER, TEFLON/DELIRIN, 4X6X.200
16	2	34869	PL, TABLE SPACER, TST20
17	1	34982	WLDMNT, SIDE CHANNEL RS, TST20

Air Assembly: 30728

ITEM	QTY	PART	DESCRIPTION
1	1	11823	HOSE AIR, 3/8x27, RUBBER, 1/2 X 1/2 CONN
2	2	16455	GLADHAND UNIV POLY SEAL W/GUARD/SCREEN P RED
3	2	16456	GLADHAND UNIV POLY SEAL W/GUARD/SCREEN P RED
4	2	1801	ELBOW, ST, 45, 3/8 NPT-M X 3/8 NPT-F, BR
5	5	1804	ELBOW, 90, 3/8T X 1/4 NPT-M, BR
6	3	1805	ELBOW, 90, 3/8T X 3/8 NPT-M, BR
7	3	1806	ELBOW, 90, 1/2T X 3/8 NPT-M, BR
8	1	1816	CONNECTOR, 3/8T X 1/4 NPT-M, BR
9	2	1832	COUPLING, 1/2 NPT-F, TAPERED, MI, GALV
10	2	21179	NUT 8-32 NYL INS HX STNLS
11	2	24983	HOSE AIR, 3/8X86, RUBBER 1/2 X 1/2 CONN
12	6	28083	FITTING, BULKHEAD, 3/8 X 1/2 NPT-M, 1-29/32"
13	1	28209	SLND AIR VLV, 3 WAY, 2 POS, 1/4 NPT, 12V
14	1	2846	ELBOW, 45, 1/2 NPT-F, GALV
15	1	3064	TEE, ST, 1/4 NPT, BR
16	1	32149	BREATHER, 1/4 NPT-M, STL PLTD
17	1	33239	VALVE PLATE ASSY, TST20
18	1	33241	INSTL, AIR TANK, TST20
19	1	34307	INSTAL, AUTO TIRE INFL, DUAL, TN, THA, TST20
20	1	34371	PL, AIR/ELEC ROUT MNT, TST20
21	2	35242	CAPSCREW, 8-32 X 1-3/4 SOCKET HEAD ZINC PLTD
22	2	4495	ELBOW, 90, 1/2 NPT-F, GALV
23	2	5683	HOSE AIR, 3/8x54, RUBBER, 3/8S X 1/2 CONN
24	1	9978	VALVE, PUSH-PULL, BOLT-ON, SEALCO
25	1	34053	INSTL, CABLE TENDER ASSY, UPS, TST20

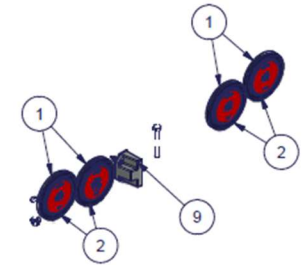
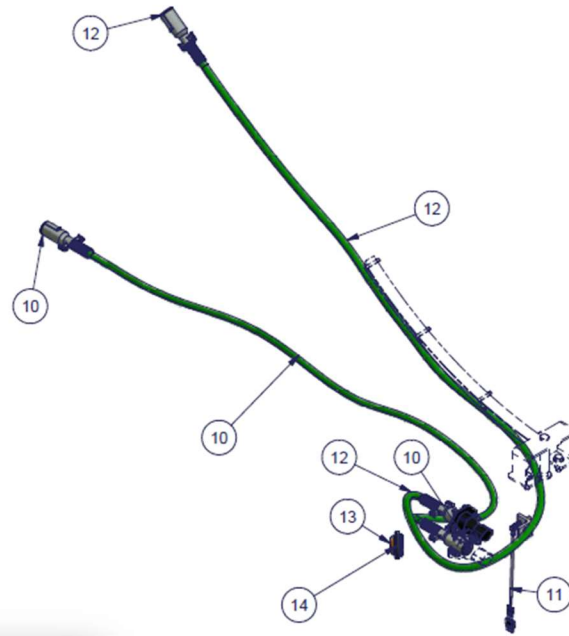


Valve Plate Assembly: 33239



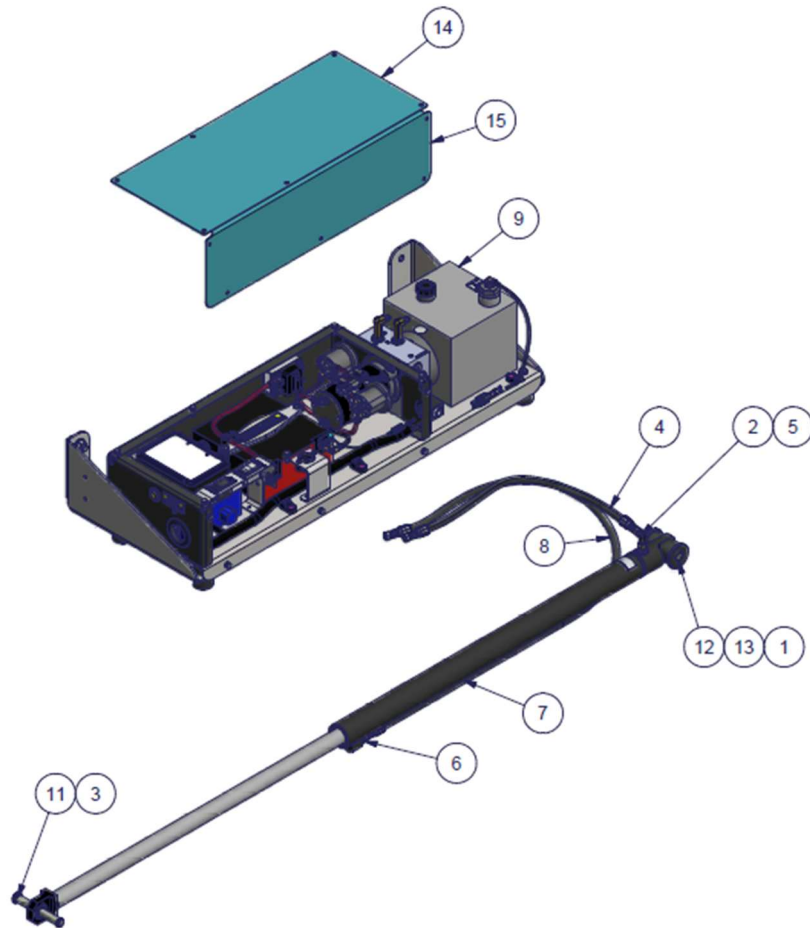
ITEM	QTY	PART	DESCRIPTION
2	1	10685	ELBOW, ST, 90, 1/2 NPT-M X 1/2 NPT-F, BR
3	2	12582	VALVE, PRESSURE PROTECTION v2 110257, SEALCO
5	2	13668	ELBOW, 90, 5/8T X 1/2 NPT-M, BR
10	1	1772	VALVE, CHECK, SC-3, 1/2" NPT, BENDIX
11	5	1804	ELBOW, 90, 3/8T X 1/4 NPT-M, BR
12	8	1805	ELBOW, 90, 3/8T X 3/8 NPT-M, BR
13	3	1806	ELBOW, 90, 1/2T X 3/8 NPT-M, BR
14	1	1810	ELBOW, 45, 3/8T X 3/8 NPT-M, BR
15	1	1817	CONNECTOR, 3/8T X 3/8 NPT-M, BR
16	1	1826	ELBOW, ST, 90, 3/8 NPT-M X 3/8 NPT-F, BR
17	1	1838	BUSHING, 3/4 NPT-M X 1/2 NPT-F, HX, STL,GALV
22	1	3064	TEE, ST, 1/4 NPT, BR
23	1	30948	PL, AIR COMPONENT MNT, TST20
24	1	32913	VALVE, ABS, BENDIX TABS6 (ECU), PROG, TST20
26	1	6302	VALVE, SYNCHRO, SV-4, W/BRTHR & CHCK VLV
27	1	6688	VALVE, RELAY, R-12P WITH BRACKET
28	1	9858	VALVE, EMERGENCY CONTROL 110376 SEALCO

Electrical Assembly: 30729



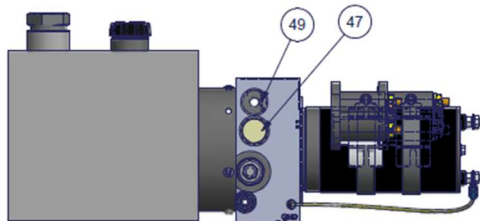
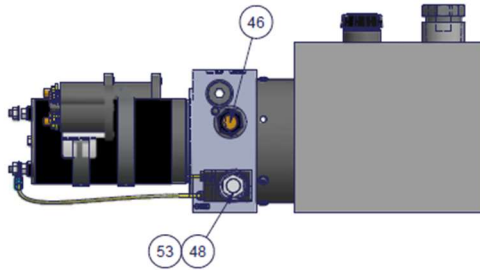
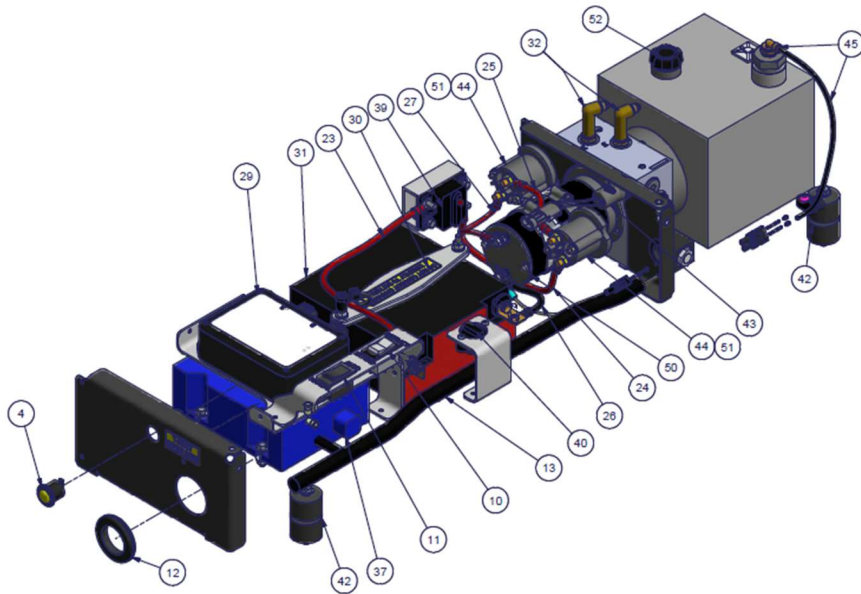
ITEM	QTY	PART	DESCRIPTION
1	4	11239	RETAINING RING, GROTE LED
2	4	13280	LAMP RED 4" RD 6-DIODE LED FLG
5	1	14880	HARNESS 2 FLANGED SOCK 4 LT LED LIC LIGHT UPS
9	1	32963	INSTL, LICENSE PLATE LIGHT KIT, LED
10	1	35020	CABLE 7-WAY STR 9' GRN ABS, GROTE
11	1	34344	INSTL, LOCK HOOP SENSOR, TST20
12	1	34088	CABLE 7-WAY STR 11' GRN ABS, GROTE
13	1	9562	LENS, AMBER, TRUCKLITE, ABS
14	1	9563	GROMMET, LAMP, TRUCKLITE, MODEL 30

Hydraulic System Assembly: 30730



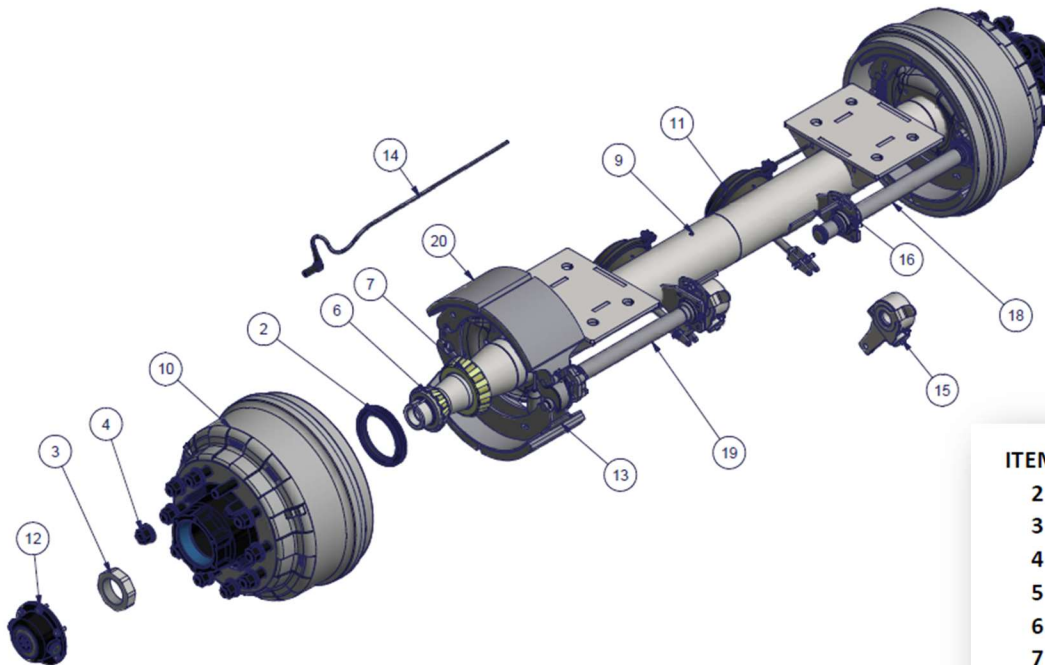
ITEM	QTY	PART	DESCRIPTION
1	1	1172 WASHER 5/8 FLAT F436 HRDN PLTD	
2	1	29415 ELBOW, 90, #4 JIC-M X #4 JIC-F, STL	
3	1	29586 SNAP RING, EXTERNAL, 5/8"	
4	1	29819 HOSE, HYD #4-JIC-F x HOSE-4-24" OAL	
5	1	30414 FITTING, ST, #6 SAE-ORB X #4 JIC-M, STL	
6	1	32864 FITTING, ST, #4 SAE-ORB X #4 JIC-M, STL	
7	1	32955 CYL, HYD, 29"STK 1.63"BORE 1.25"ROD PWRPAC	
8	1	33064 HOSE, HYD #4-JIC-F x HOSE-4-58" OAL	
9	1	33226 INSTL, ELEC/HYD PUMP PACKAGE, TST20	
11	1	34849 PIN, CYL MNT, TST20	
12	1	35235 PIN, REAR CYL MNT, TST20	
13	1	6035 COTTER PIN, 5/32 X 1-1/2, STNLS	
14	1	34917 INSTL, POWER UNIT TOP COVER, TST20	
15	1	34918 INSTL, POWER UNIT SIDE COVER, TST20	

Elec/Hyd Pump Package: 33226



ITEM	QTY	PART	DESCRIPTION
4	1	17747	LAMP, MARKER, MODEL 33 LED, YELLOW W/GROMMET
10	1	28205	ROCKER SWITCH, HD, DPDT, 3POS, 2 CRT, MNTRY
11	1	28206	ROCKER SWITCH, HI AMP, SPDT, 2POS, BLACK
12	1	29130	GROMMET, 1-1/2 X 3/32 X 2 X 2-3/8 X 3/8
13	1	33234	WIRE HARNESS, ELEC/HYD POWER UNIT, TST20
23	1	34096	WIRE, 6GA RED, 1/4" X 1/4" RING TERM, 14" LONG
24	1	34097	WIRE, 6GA RED, 1/4" X 5/16" RING TERM, 10" LONG
25	1	34098	WIRE, 6GA RED, 5/16" X 5/16" RING TERM, 7" LNG
26	1	34099	WIRE, 6GA BLK, 1/4" X 5/16" RING TERM, 7" LONG
27	1	34120	WIRE, CALIBRATED W/LEADS, TST20
29	1	34250	CONTROLLER, TST20, PROGRAMMED
30	1	34638	KIT, BATTERY TIE-DOWN WIDE, TST20
31	1	34641	BATTERY, AGM, DEEP CYCLE, 15AH
32	2	34693	ELBOW, 90, #6 SAE-ORB X #4 JIC-M, X-LNG, STL
37	1	34919	IN STL, DC-DC CONVERTER / CHARGER, TST20
38	1	34920	IN STL, POWER UNIT PUMP, TST20
39	1	34921	IN STL, CIRCUIT BREAKER 150A
40	1	34922	IN STL, CIRCUIT BREAKER 30A
42	4	35682	IN STL, ISOLATOR KIT, TST20
43	1	33679	SENSOR, PRESSURE SWITCH, NO, 2800PSI
44	2	34048	CONTACTOR, TROMBETTA, 150AMP DC
45	1	34644	IN STL, OIL FLOAT SWITCH, TST20
46	1	34645	VALVE, DBL PILT CHCK, CARTRIDGE, TST20
47	1	34646	VALVE, RELIEF "P3", TST20
48	1	34647	VALVE, POSITION CART, 4-2/2-P
49	1	34649	VALVE, CROSS-OVER RELIEF, TST20
50	1	34650	MOTOR, DC, 12V, 3", 2 TERM, SLOW SP, TST20
51	2	34651	CLAMP, HOSE, WORM GR, 2.3-3.25 ID
52	1	34652	CAP, RESERV, BREATHER-FILLER, TST20
53	1	35790	COIL, POSITION VALVE, TST20

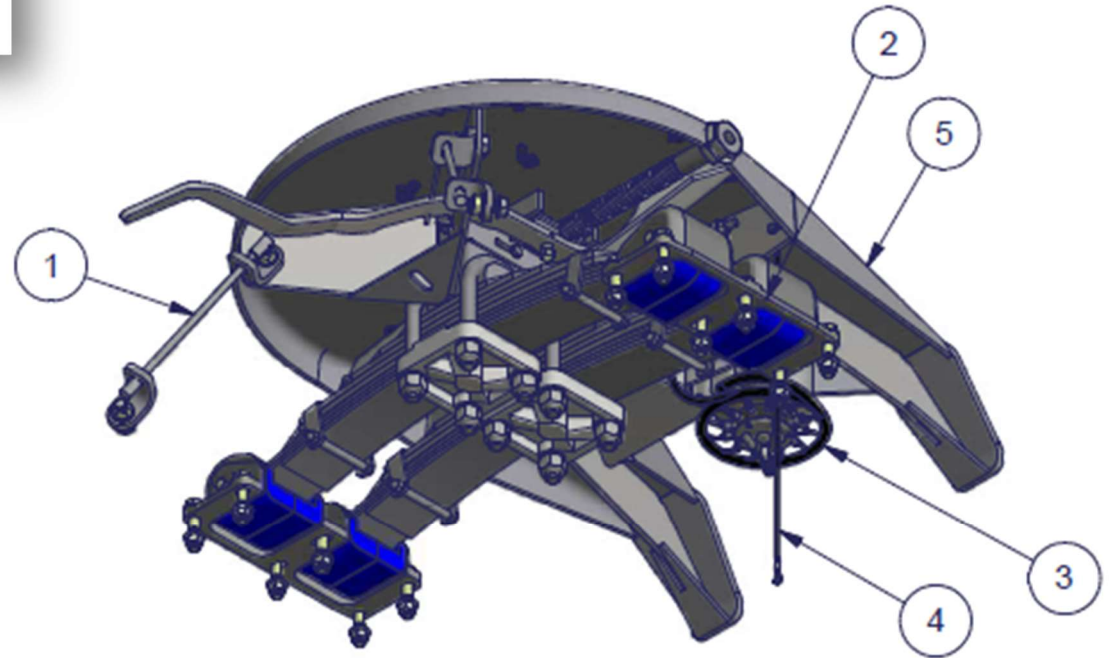
Axle Assembly: 30745



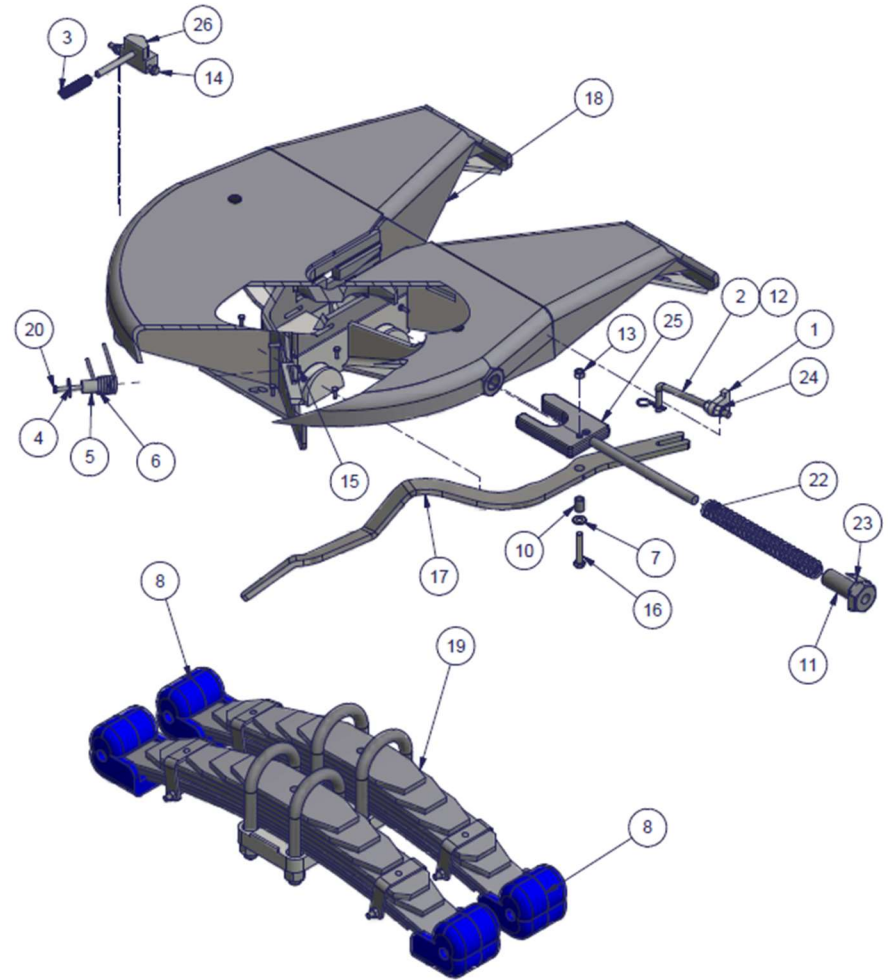
ITEM	QTY	PART	DESCRIPTION
2	2	12567	SEAL, OIL, NATIONAL 5-STAR GOLD, TN
3	2	12861	NUT SPINDLE TN PRO TORQ AXLE STEMCO 447-4743
4	20	13778	NUT, WHEEL STUDS, M22 X 1.5, 33MM HEX, 1.22 HT
5	10	16597	GREASE, PENNLITH EP-2, RED LITHIUM
6	2	1992	BEARING AXLE, OUTER; TAPERED-ROLLER, (GEN BRG)
7	2	1993	BEARING AXLE, INNER; TAPERED-ROLLER, (GEN BRG)
9	1	30744	AXLE BEAM 71.5N, BARE, W/3" SEATS, PSI ECOAT
10	2	32881	HUB & DRUM, CAST N-10, STL WHL, ABS 16.5 X 7
11	2	32882	AIR CHAMBER TYPE 30 LNG STRK W/WLD CLEVIS
12	2	34082	HUB CAP, SKF TF5, 5.5" B.C., PSI, W/GSKT/BLTS
13	1	34107	AXLE COMPONENT KIT MERITOR STN-JT Q+ W/O ENCL
14	1	35131	INSTAL WHEEL SENSORS, TABS6, 90 DEG, 75"
15	2	4798	SLACK ADJ AUTO, 6", 28 SPLN, HALDEX, 1 PC
16	2	4799	BRACKET KIT, HALDEX SLACK ADJ, 1 BRKT/PIN/NUT
17	30	6281	LUBE, GEAR, SYNTHETIC, 75W90
18	1	2210S8391	CAMSHAFT, FIN. RH
19	1	2210S8392	CAMSHAFT, FIN. LH
20	1	KIT 8091	CAMSHAFT BUSHING KIT

Fifth Wheel Assembly: 34793

ITEM	QTY	PART	DESCRIPTION
1	1	22229	INSTALLATION, LIMIT CABLES, 14", VAIL
2	2	30552	INSTR, ONE DBL BOOT HSG, BOLTED, GALV
3	1	34306	INSTALLATION, INTERLUBE 5TH WHL MNT, TST20
4	1	34789	INSTR, GRND STRAP VA
5	1	34812	5TH WHL TBL SHRT HNDL POLY, LUBE, T-DOLLY



Fifth Wheel Kit: 34812



ITEM	QTY	PART	DESCRIPTION
1	1	10076	ANCHOR, LEVER ADJUSTMENT, 5TH WHL, FRONT PULL
2	1	10077	ADJUSTER, LEVER, 5TH WHL, FRONT PULL DRILLED
3	1	1123	SPRING, TRIP BLOCK, SERIES 10-60
4	2	11259	WASHER 3/8 X 1-1/2 MIN OD FENDER THICK PLTD
5	1	11260	POST,KEEPER SPRING,LEVER,5TH WHL,FRONT PULL
6	1	11419	SPRING KEEPER,LEVER,5TH WHL,FRT PULL,RS,ECOAT
7	1	1150	WASHER, 1/2", FLAT, SAE, PLTD
8	4	12172	SPRING BOOT POLYURETHANE PAIR
10	1	13381	BUSHING, 1/2 I.D. X 3/4 O.D. X 1
11	1	1342	GUIDE, PUSHROD, SEMCO TABLE, 40-60
12	1	15801	HAIRPIN COTTER, 1/2-5/8 DIA, .120", PLTD
13	1	1942	NUT 1/2-13 METAL LOCK HX GR C PLTD
14	1	1965	CAPSCREW 3/8-16 X 5 HX GR 5 PLTD
15	2	2451	NUT 3/8-16 METAL LOCK HX GR C PLTD
16	1	27494	CAPSCREW 1/2-13 X 2-3/4 HX GR 8 PLTD FULL THD
17	1	34086	LEVER, 5TH WHL, FNT PULL, RS, SHR HNDL, LUBE
18	1	34813	5TH WHL WLDMT, EXT RAMP, LUBE T-DOLLY
19	1	34822	INSTAL, 7 LEAF SPRINGS
20	1	4107	CAPSCREW 3/8-16 X 3-1/4 HX GR 5 PLTD
22	1	8369	SPRING, JAW, SERIES 10-60
23	1	8535	WASHER LOCK TAB 16 GA
24	2	8820	NUT 1/2-13 TOP LOCK JAM HX GR C PLTD
25	1	8944	JAW ASSY, HUCKED PUSHROD, LH
26	1	9640	TRIP BLOCK WELDMENT, LH, SERIES 30-60