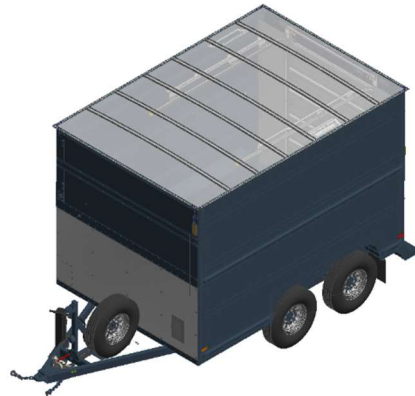


OPERATION PROCEDURES PARTS & SERVICE MANUAL

As built for
GREYHOUND



**SILVER EAGLE MODEL GP-70
PART #31096**



5825 NE Skyport Way - Portland, OR 97218
(503) 281-0727 - (800) 547-6792 - (503) 335-2171 Fax
www.silvereaglemf.com



Table of Contents

MAINTENANCE PROCEDURES

Specifications 3 – 6

PARTS LISTING

Master Assembly..... 7

Major Assembly..... 8

Frame/Wall/Floor Assembly..... 9



SECTION	GROUP	
GENERAL	BUILD YEAR	2014
	MFR. MODEL YEAR	2014
	TRAILER TYPE	PACKAGE TRAILER
MANUFACTURER	MANUFACTURER	SILVER EAGLE MANUFACTURING COMPANY 5825 N.E. SKYPORT WAY PORTLAND, OREGON 97218-1249 PH. 800-547-6792
	TRANSPORTATION FMVSS CERTIFICATIONS	(FLAT BEDS 2 / LOAD) 9,975 LBS. GVW -- 4,500 LBS. / AXLE AND TONGUE 10% (1,000 LBS.). TRAILERS TO COMPLY WITH ALL FEDERAL MOTOR VEHICLE SAFETY STANDARDS, REGULATIONS AND LAWS.
	INSPECTIONS	PRE-DELIVERY AND FEDERAL ANNUAL INSPECTIONS ARE TO BE COMPLETED IN ACCORDANCE WITH 49 CFR 319.17. THE MANUFACTURERS F.A.I. STICKER IS TO BE COMPLETED AND INSTALLED IN THE AREA DESIGNATED BY GREYHOUND AND A COPY OF THE INSPECTION REPORT TO BE INCLUDED WITH THE TRAILER SHIPPING DOCUMENTS.
	QUALITY AND SERVICE CONTROL	ISO 9001:2008 CERTIFIED PROCESSES
	DECALS / LABELS / PLATES	BODY IDENTIFICATION TAGS: 1 EA. VIN PLATE ON DRAWBAR WITH U.S. CERTIFICATIONS 1 EA. BODY INTERIOR BONDED TO REAR CURBSIDE WALL BEHIND COVER PANEL
WARRANTY	STRUCTURE AND FRAMEWORK: 48 MONTHS / UNLIMITED MILES COMPONENTS: MANUFACTURERS WARRANTY TODCO REAR DOOR: 12 MONTHS / UNLIMITED MILES NOTE: TODCO PANEL WARRANTY / 60 MONTHS / UNLIMITED MILES PAINT: 48 MONTHS / UNLIMITED MILES UNDERCOATING ZGUARD: 5 YEARS COMPONENTS; MANUFACTURER'S WARRANTY	
SIZE & WEIGHT	DRAWINGS	TOP LEVEL DIMENSIONAL DRAWINGS IN HARD COPY AND ELECTRONIC
	DIMENSIONS	EXTERNAL BODY LENGTH = 147.5" . (MINUS TONGUE - 59" AND REAR BUMPER) EXTERNAL BODY WIDTH = 99.5" NOT INCLUDING RAIL EXTERNAL BODY HEIGHT = 115" . OVERALL LENGTH = 208" . (INCLUDES TONGUE 59" NO REAR BUMPER). OVERALL WIDTH = 91.5" (88.5" + RUB RAIL) OVERALL HEIGHT = 116.5"
	BODY	INTERNAL LENGTH = 140.75" INTERNAL WIDTH = 99", 75" AT WHEEL WELLS INTERNAL HEIGHT = 90" , 86" WITH DOOR OPEN CARGO SPACE = 710 CUBIC FEET SWING DOOR
	WEIGHT	UNLADEN WEIGHT = 3500 GVW = 9,975 LBS. PAY LOAD = 6,500 LBS.
CHASSIS FRAME & TONGUE	ASSEMBLY	18' 1/2" FROM COUPLER TO REAR BUMPER. 3-PIECE "A" FRAME TONGUE OF 5" x 2" x .25" RECTANGULAR STEEL TUBE. TONGUE TO BE INTEGRATED INTO FRAME.



SECTION	GROUP	
		CENTER OF COUPLER TO FRONT OF TRAILER IS APPORX 60".
		CROSS MEMBERS - C3 x 4.1 OB. STRUCTURAL CHANNEL ON 16" CENTERS WELDED TO FRAME.
POSITIONING EYE	ASSEMBLY	POLE MOUNTED DRAWBAR EYE FOR POSITIONING TRAILER WITH FORKLIFT 7 WAY PLUG HOLDER
LANDING GEAR	ASSEMBLY	BINKLEY MODEL #48000 10,000 LB. LIFT CAPACITY DROP LEG GEAR ASSEMBLY (12" DROP WITH 9" x 9" GROUND PLATE, 13 1/2" TRAVEL). ASSEMBLY MOUNTED INSIDE LEFT TONGUE FRAME RAIL 30" FROM BALL WITH BRACKET ATTACHED TO RAIL WITH GRADE 8 HEX HEAD BOLT. (MINIMUM GROUND CLEARANCE OF 12"). OPERATING HANDLE LOCATED ON LEFT HAND SIDE ATTACHED TO SHAFT WITH 2" HEX HEAD BOLT. HANDLE SECURING "U-TYPE BRACKET WELDED TO REAR SIDE.
COUPLER	ASSEMBLY	MECHANICAL, RUBBER CUSIONED SLACK ADJUSTER AND EYE FOR 1-1/2" PINTLE HITCH COUPLER HEIGHT - 21" TO CENTER OF EYE.
SAFETY CHAINS	ASSEMBLY	(2) 32" 10,000 LB. CAPACITY DOT CERTIFIED CHAINS WITH HOOKS & LATCHES. CHAIN SECURING RINGS WELDED TO FRONT LEFT AND RIGHT SIDE FRAME RAILS. WITH 5 TON HOOKS W/SAFETY LATCH
SUSPENSION	ASSEMBLY	DEXTER TORFLEX H RUBBER TORSION AXLES 7,000 GVW RATING EACH. NEV-R-LUBE BEARING SYSTEM LOCATION OF AXLES TO BE C/L 55" FROM REAR WITH 42" AXLE SPACING
WHEEL END	MAKE & MODEL	TYPE 865 HUB GROUP 8 BOLT PATTERN WITH 6 1/2" BOLT CIRCLE. MFG. DEXSTAR #017-293-1T 16" x 6" STEEL DISC WITH STEEL VALVE STEMS WITH FLOW THROUGH VALVE STEM CAPS (MEYERS P/N MEY21534). 90 - 120 FT. LBS.
	WHEEL TORQUE	
	HUB ASSEMBLY	DEXTER 008-385-13 NEV-R-LUBE
	TIRES	(5) CUSTOMER FURNISHED MICHELIN LT235/85R16 TUBELESS TIRES 3,042 LB. CAPACITY RATING OR GOODYEAR WRANGLER HT LT225/75R-16. (1) MECHANICAL HUBODOMETER LOCATION MOUNTED ON FRONT CURBSIDE WHEEL
SPARE TIRE		DRAWBAR MOUNTED (VERTICAL) CARRIER WITH TIRE AND WHEEL TO MATCH - ROADSIDE ACCESS
AXLES	MODEL	DEXTER MODEL 12 TORFLEX AXLE; 6,000# RATING
	FRONT AXLE	FRONT AXLE WITHOUT PARKING BRAKES -
	REAR AXLE	REAR AXLE WITH MECHANICAL PARKING BRAKES -
BRAKES	ASSEMBLY	ELECTRIC BRAKES - INTERNALLY MOUNTED AUTOMATIC CONTROLLER FRONT AXLE - BRAKE DRUM DEXTER 6K CSA MANUAL ADJUSTING 12" x 2". REAR AXLE - BRAKE DRUM DEXTER 6K DXQ MANUAL ADJ W/PARK 12" x 2".
	PARKING BRAKE	2-PIECE CABLE SYSTEM APPLIES LEFT AND RIGHT REAR BRAKES. CURBSIDE HAND BRAKE LEVER OPERATOR W/ AMBER FLASHING LIGHT STATUS INDICATOR
	BREAKAWAY SYSTEM	HEAVY DUTY BREAKAWAY SWITCH WITH GUARD CONNECTED TO AMBER FLASHING WARNING LIGHT AND AUDIBLE ALARM WITH WEATHER SHEILD
THRESHOLD	ASSEMBLY (SWING DOORS)	83" X 5-1/2" FORMED ALUMINUM PLATE COVERING LOWER DOOR SILL AND 3-1/2" FORMED ALUMINUM DIAMOND PLATE COVERING REAR END OF FLOOR.

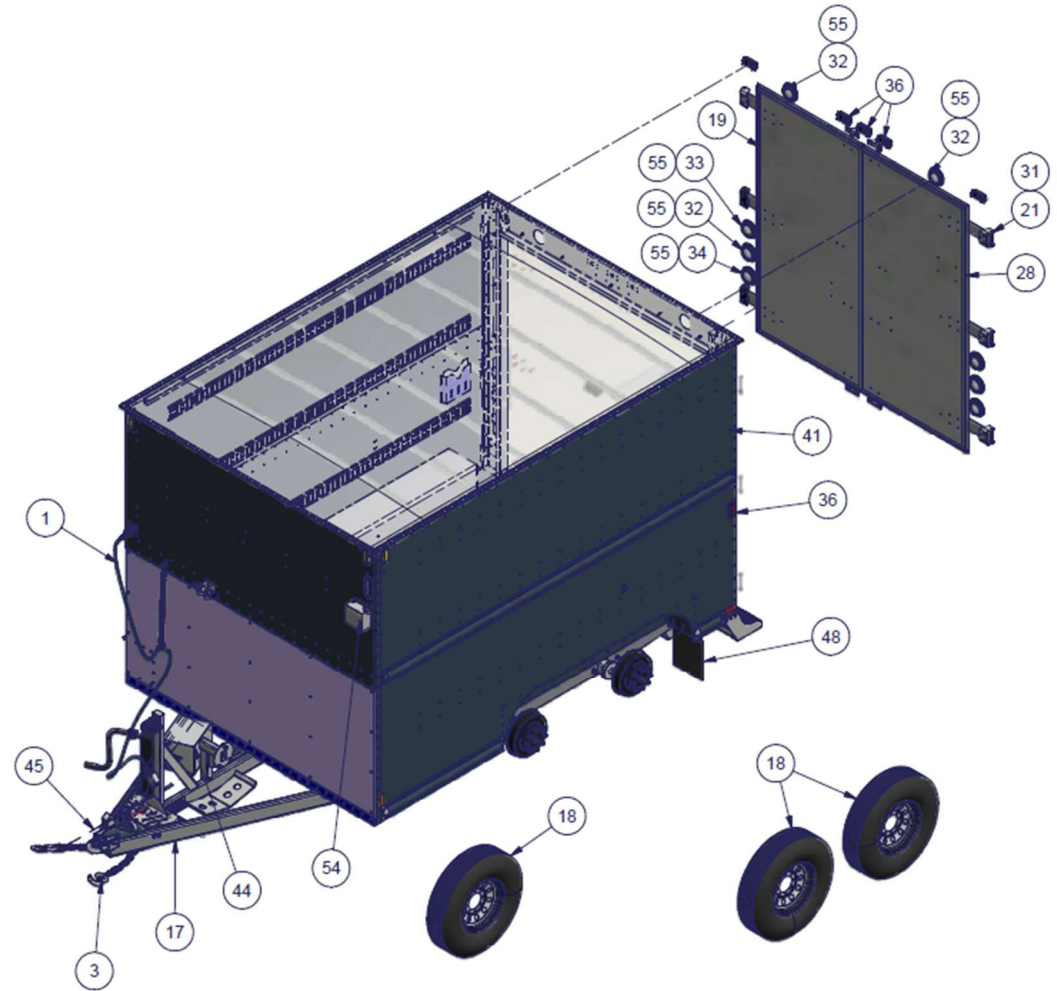


SECTION	GROUP	
FLOOR	ASSEMBLY	3/4" GROUP 1 EXTERIOR PLYWOOD W/ GLUED LAP JOINT. SCREWED TO STEEL CROSS MEMBERS WITH TORX HEAD SCREWS, PAINTED GREY INSIDE, REAR 24" TO HAVE ANTI-SLIP ADDITIVE - UNDERCOATED OUTSIDE, 22" FLOOR HEIGHT.
REAR DOOR FRAME		MANUFACTURED FROM MILD STEEL CONSTRUCTION
REAR DOOR	ASSEMBLY (SWING DOORS)	MATERIAL, HARDWARE AND SEALS. HINGES TO HAVE A LUBE FITTING STAINLESS PIVOT BOLTS TIE BACKS PROVIDED TO SECURE DOORS OPEN STAINLESS STEEL T-LATCHES REAR DOOR OPENING = HEIGHT, 84" WIDTH, 83" REAR FLOOR HEIGHT = 22" SELF-TAPPING SCREWS ON LIGHT COVER PANEL
SIDE STRUCTURE	ASSEMBLY	WALL CONSTRUCTION OF .125 5052-H32 ALUMINUM SIDE WALLS HAVE A 5" HAT SECTION RIVETED WITH 1/4" RIVETS ON 4" CENTERS INSTALL D-RING AT MIDWAY CENTER TO CURBSIDE OF FRONT PANELS FOR LIGHT CORD SECUREMENT WITH CARABINER, SPRING AND HOLDER FRONT PANEL FORMED TO ATTACH TO SIDE PANELS REPLACEABLE 1/8" ALUMINUM TREAD BRITE PANEL ACROSS LOWER FRONT ALUMINUM SANDWICH ON FRONT WALL RIVET GUARD, W/ADHESIVE
LOGISTICS TRACK		6 - 10' GALVANIZED E-TRACK W/6 TIE DOWN "D" RING, CARGO NET W/6 STRAPS. 6 - CARABINERS
FENDERS	ASSEMBLY	INTERNAL WHEEL WELLS. FABRICATED 5052-H32 ALUMINUM, 12"X12"
TOOL BOX	ASSEMBLY	TWO SECTION COMPARTMENT WITH SINGLE TOP HINGED ACCESS DOOR ON FORWARD CURBSIDE HOLDS TRIANGLE HAZARD KIT, RUN-UP BLOCKS, & SPARE BREAK AWAY CABLE
ROOF	ASSEMBLY	COMPARTMENT ROOF MANUFACTURED USING ONE PIECE .060 KEMLITE GLASBOARD (10% LIGHT INTRUSION) TRANSLUCENT ROOF RIVETED TO TOP SIDE RAILS. (6) 1-INCH CROWN ANTI-SNAG 18 GAUGE GALVANIZED STEEL ROOF BOWS ON 20" CENTERS. ONE INCH CROWN IN BOWS.
LIGHTING & ELECTRICAL	ASSEMBLY	ALL VEHICLE LIGHTING INSTALLED TO MEET CURRENT LEGISLATION. WIRE CONNECTIONS INSULATED WITH HEAT SHRINK TUBING PLUS ADEQUATE CORROSION PREVENTION COATING (DIELECTRIC GREASE). WIRING TO BE IN A LOOM AND SECURED WITH PLASTIC COATED CLIPS. 4" TRUCKLITE ROUND LED STOP, TAIL AND BACKUP LIGHTS RUBBER GROMMET MOUNTED. LED CLEARANCE AND MARKER LIGHTS = DIALIGHT 18 SERIES 4 YELLOW AND 7 RED. GREYHOUND 7 WAY COLOR CODING USED ON ALL WIRING. 7-WAY ELECTRICAL CONNECTOR (SAE J560) MOUNTED CURB SIDE UP PANEL(JUST ABOVE SEAM). (FULL TIME POWER ON #2 BLACK WIRE). DUMMY 7-WAY HOLDER LOCATED ON POSITIONING EYE POST. FOUR EACH SUB-HARNESSES: MAIN MARKER, RS BRAKE, CS BRAKE, PARKING BRAKE SENSOR (2) CEILING MOUNTED LED WHITE TASK LIGHT - AUTO ACTIVATED POWERED FROM #2 (BLACK WIRE) CHARGER BATTERY NONE, POWER TO COME FROM #2 BLACK WIRE GROUP U1 IN BOX INSIDE FRONT CURBSIDE ACCESSORY BOX. WITH POWER INDICATOR LIGHT
REAR BUMPER	ASSEMBLY	SOLID STEP WITH ANTI-SKID SURFACE - 9.5" DEEP WITH KICK PLATE (TOE BOARD)
ACCESSORIES	DOCUMENT BOX	ALUMINUM TUBE LOCATED ON FRONT OF TRAILER



SECTION	GROUP	
	INSPECTION BOOK HOLDER	FABRICATED STEEL BOX TO HOLD INSPECTION BOOK - MOUNTED INSIDE TRAILER AT REAR CURBSIDE WALL
PAINT & DECAL	ASSEMBLY	ALL DISSIMILAR METALS INSULATED WITH NON-CONDUCTING TAPE. E-COAT PRIMING - PPG 590/534 USED ON ALL STEEL FABRICATED COMPONENTS GALVANIZING WHEN POSSIBLE
	BODY	TOP COAT - SHERWIN WILLIAMS POLYURETHANE #G2-5044690-B, TO MATCH GREYHOUND BLUE
	WHEELS	SHERWIN WILLIAMS POLYURETHANE #G2-31398-378551-A, GREYHOUND SILVER APPLIED OVER FACTORY POWDERCOAT FINISH
	FRAME, DRAWBAR & STEP	HOT-DIPPED GALVANIZED
	UNDERBODY	UNDERCOAT WITH Z-GUARD 8000.
	DECALS	KIT SUPPLIED BY CUSTOMER

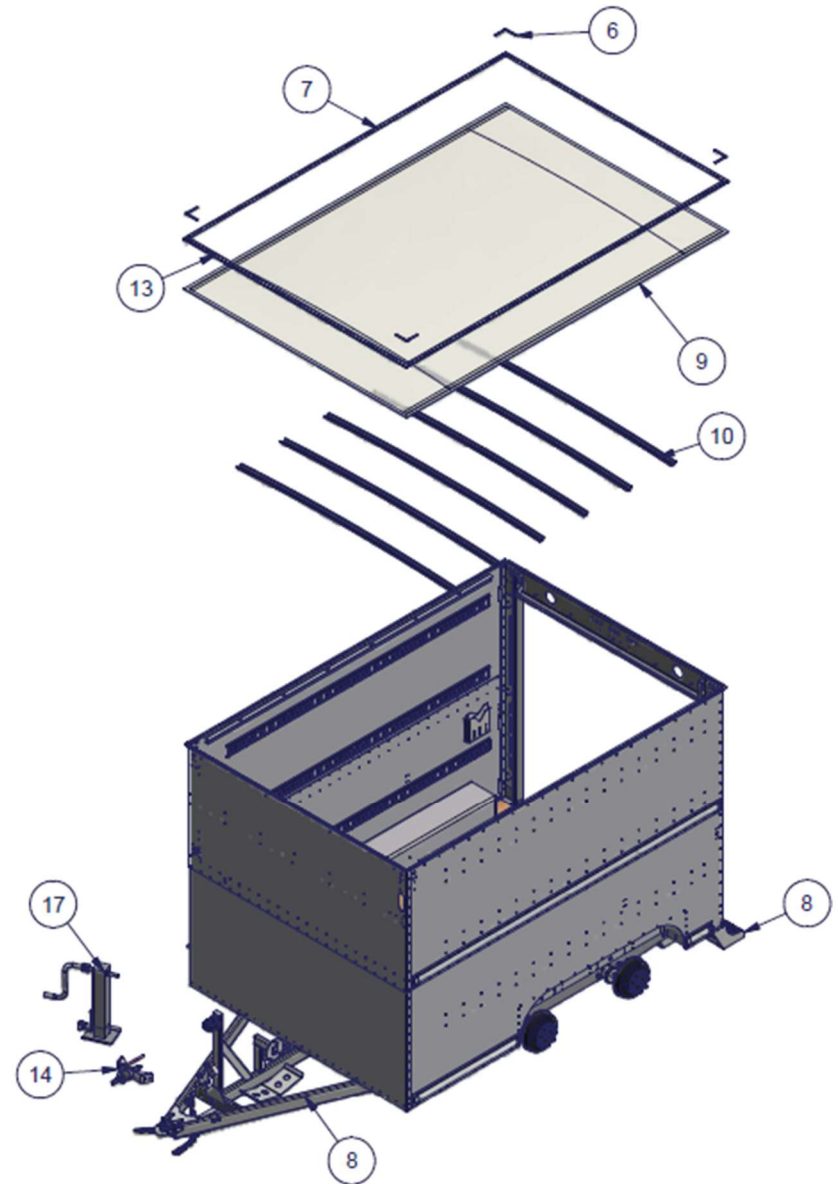
Master Assembly: 31096



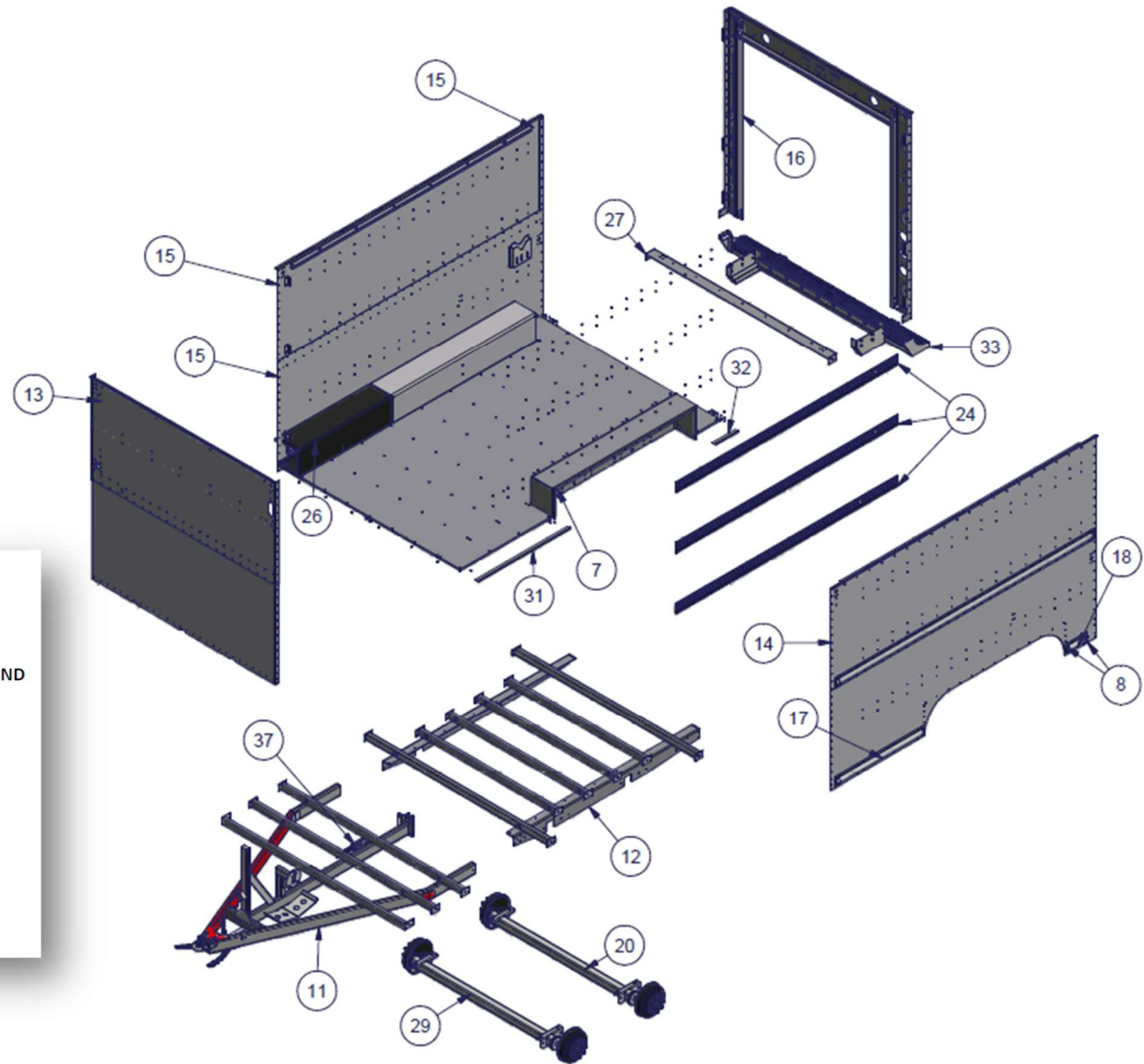
ITEM	QTY	PART	DESCRIPTION
1	1	10318	CABLE 7-WAY STRAIGHT 12' W/PLUGS GREEN ABS
3	2	11426	HOOK, EYE, 5 TON, W/O SAFETY LATCH
28	1	31178	DOOR, SWING, RS, GREYHOUND
17	1	31179	MAJOR, GREYHOUND, SWING DOORS
18	5	31247	WHEEL AND TIRE ASSY, GREYHOUND
19	1	31289	DOOR, SWING, CS, GREYHOUND
21	6	31335	PLATE, HINGE BUTT, SWING DOOR, GREYHOUND
48	1	31384	MUDFLAP INSTALLATION, GREYHOUND
31	6	32005	DOOR HINGE ASSEMBLY, GREYHOUND
32	4	32011	LAMP, S/T/T, 4" RND, LED 24 DIODE, RED
33	2	32012	LAMP, F/P/T, 4" RND, LED 24 DIODE, YELLOW
34	2	32013	LAMP, BACK-UP, 4" RND, LED 24 DIODE, CLEAR
36	7	32023	INSTAL, MARKER RED, 18 SERIES
41	1	32056	KIT, LICENSE LAMP AND BRKT, LED, BLACK
44	1	32072	BATTERY TRAY ASSEMBLY, GREYHOUND
45	1	32076	BREAKAWAY KIT, HD, BRASS PIN, GREYHOUND
49	1	32094	INSTAL, ELECTRICAL ASSY, GREYHOUND
50	1	32141	YELLOW RUN-UP BLOCK, GREYHOUND SUPPLIED
54	1	32423	WLDMNT, ACCO ALARM MNT, GREYHOUND
55	8	6266	GROMMET, LAMP, TRUCKLITE

Major Assembly: 31179

ITEM	QTY	PART	DESCRIPTION
6	4	28728	BRACE, CORNER, ROOF, TP-60-4
7	2	28776	J MOLDING, ROOF, SIDES, TP-60-4
8	1	31180	FRAME/WALL/FLOOR ASSY, SWING DOOR
9	1	31194	ROOF, .060" 10%, 147" X 101.8", KEMLITE, GH
10	6	31234	ROOF BOW, MODIFIED, GREYHOUND
13	2	31254	J-MOLDING, ROOF, FRONT/REAR, GREYHOUND
14	1	31338	WLDMNT, MECH. JAM EYE TO MOUNT
17	1	32408	JACK WELDMENT, GREYHOUND



Frame/Wall/Floor Assembly: 31180



ITEM	QTY	PART	DESCRIPTION
7	2	28688	FENDER, FORMED, WELDED, INNER, TP-60-4
8	10	28770	END CAP, ROUNDED, TP-60-4
11	1	31183	DRAWBAR, WLDMNT, GREYHOUND
12	1	31184	WLDMT, AXLE MOUNT, CENTER FRAME, GREYHOUND
13	1	31185	FRONT WALL ASSEMBLY, GREYHOUND
14	1	31188	SIDE WALL ASSY, RS, GREYHOUND
15	1	31189	SIDE WALL ASSY, CS, GREYHOUND
16	1	31193	REAR WALL ASSY, SWING DOOR, GREYHOUND
17	2	31223	RUB RAIL, SIDE WALL, LWR FRNT, GREYHOUND
18	2	31224	RUB RAIL, SIDE WALL, LWR REAR, GREYHOUND
20	1	31259	AXLE ASSY, 90" WIDE, W/ELEC BRAKE, W/PB
24	6	31983	E-TRACK, 10' HORIZONTAL GALV
26	1	32032	WLDMNT, TOOL/STORAGE BOX, GREYHOUND
37	1	6736	LEVER, HAND BRAKE, CABLECRAFT