

FIFTH WHEEL TACTICAL TRAILER (FTT)



Use these shelters?

- S-250
- S-788 LMS
- GSS-1497

Transporting with the Silver Eagle FTT avoids overloads, even with up-armoring

Now increase your HMMWV towing capacity to 7,000 lbs.

The Silver Eagle Fifth Wheel Tactical Trailer (FTT) is an integrated system allowing military HMMWVs to achieve a 67% greater towing capacity than with standard trailers. The additional towing capacity, up to 7,000 lbs., gives even up-armored HMMWVs the ability to transport shelters, large generators and heavy mission-critical cargo without weight waivers or repackaging.



UPARMORED AND CARRYING A SHELTER — The FTT allows even uparmored HMMWVs to carry shelters and mission-critical cargo without the need for weight waivers or repackaging.

The Silver Eagle FTT achieves proven stability with its patent-pending STABLE™ coupling system. The fifth wheel configuration redistributes the weight of the trailer over the rear axle of the HMMWV, achieving higher towing capacity with unprecedented trailering mobility, even in mountainous terrains.



STABLE™ COUPLING SYSTEM provides proven stability. It is specifically engineered to provide unprecedented trailering mobility that easily maneuvers mountainous terrains.

FTT supports countless equipment transport applications:

Consider the FTT any time your technology meets or exceeds the standard HMMWV towing capacity. Silver Eagle can integrate your technology for these and other applications:

- Unmanned Aerial Vehicles
- Surveillance Towers
- Satellite Communications
- Power Generation



SILVER EAGLE
MANUFACTURING COMPANY

Silver Eagle Manufacturing Company
5825 NE Skyport Way, Portland, OR 97218

TOLL FREE: (800) 547-6792
FAX: (503) 335-2171

EMAIL: mil-sales@silvereaglemgf.com
WEB: www.SilverEagleMfg.com

FIFTH WHEEL TACTICAL TRAILER (FTT) SPECIFICATIONS

General

Maximum Vehicle Weight	7000 lb (3175 kg)
Curb Weight	2100 lb (953 kg)
Maximum Payload Capacity	4900 lb (2223 kg)
Hull	Unitized body construction using aircraft grade aluminum and HSLA steel

Dimensions

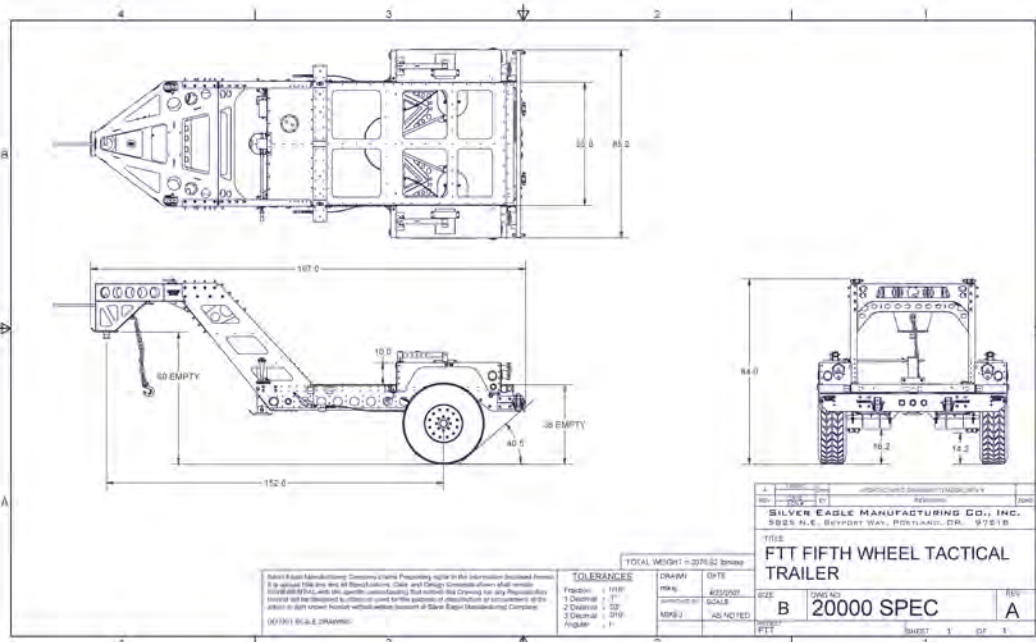
Overall Length	197.0 inches (500 cm)
Overall Width	85.2 inches (216 cm)
Overall Height	84.0 inches (213 cm)
Track Width	72.5 inches (184 cm)
Drawbar Length	152.6 inches (388 cm) from axle center to kingpin center
Kingpin Height	60.0 inches (152 cm) empty
Deck Height	36.0 inches (86 cm) empty. Loaded deck height will vary by system configuration
Ground Clearance	16.2 inches (41 cm)

Running Gear

Suspension Type	Fully independent trailing arm air-ride suspension featuring a field-replaceable wheel spindle
Spring Media	Progressive rate commercial Class 8 truck air bags, adjustable
Shock Absorbers	High performance remote reservoir
Wheels	16.5 X 8.25, two piece steel, HMMWV compatible, 8 on 6.5 inch bolt pattern
Tires	37X12.50R16.5 Goodyear Military Wrangler MIT, with 30-mile runflat inserts, HMMWV compatible
Brakes	Proprietary microprocessor controlled electric-over-hydraulic brake actuator specifically designed for 24V military systems with blackout capability. 12.25" x 3.375" hydraulic drum brakes with automatic breakaway actuation. Independent lever-operated left and right side mechanical parking brakes.
Electrical System	12/24 Volt DC sealed lighting system with blackout convoy lights, 12-pin connector plug mates with STABLE 5th Wheel System. Onboard battery for brake controller actuation and breakaway capability.

Performance

Max Speed (Primary Roads)	TBD
Max Speed (Secondary Roads)	TBD
Max Speed (Off Road)	TBD
Departure Angle	40 degrees
Turning Angle	90 degrees
Fording	Limited only by customer configuration
Stabilizing Attachment	Utilizes Silver Eagle's patent-pending STABLE fifth wheel pallet centered over rear axle.



SILVER EAGLE
MANUFACTURING COMPANY

Silver Eagle Manufacturing Company
5825 NE Skyport Way, Portland, OR 97218

TOLL FREE: (800) 547-6792
FAX: (503) 335-2171

EMAIL: mil-sales@silvereaglemg.com
WEB: www.SilverEagleMfg.com