



**SILVER EAGLE**  
**MANUFACTURING COMPANY**

**GORDON FOOD SERVICE**  
**OPERATION PROCEDURES**  
**PARTS LIST**



**Model: CSL20N**  
**VIN: 0277 - 0324**  
**Part Number: 16206**

## Single Axle Converter Dolly REQUIRED MAINTENANCE

First 50 - 100 Miles	Consult wheel maintenance instructions. Check wheel nut torque. <i>Recheck at every dismount.</i>
Every 1,000 Miles	Check axle maintenance instructions. Check axle for oil levels and leaks.
First 5,000 miles or 30 days	<ol style="list-style-type: none"><li>1) Tighten the axle u-bolts to 310 ft-lbs torque if oiled or 420 ft-lbs torque if dry.</li><li>2) Inspect springs for broken leaves and remainder of suspension assembly for loose fasteners. See Hitches torque specs.</li><li>3) Tighten all other fasteners as required. Replace any worn, stripped or missing fasteners with appropriate grade and strength.</li><li>4) Inspect all airlines and electrical cables for chafing, kinking, leakage or damage.</li><li>5) Inspect fifth wheel table assembly for bent, worn, cracked or excessively loose parts. Replace any cracked parts and worn or missing fasteners, readjust or tighten fasteners as necessary.</li></ol>

## **Silver Eagle Fifth Wheel OPERATING INSTRUCTIONS**

### **Coupling**

1. Make sure jaw is locked open and trailer is at proper height.
2. Back dolly slowly under trailer until jaw locks kingpin and handle moves into the fifth wheel.

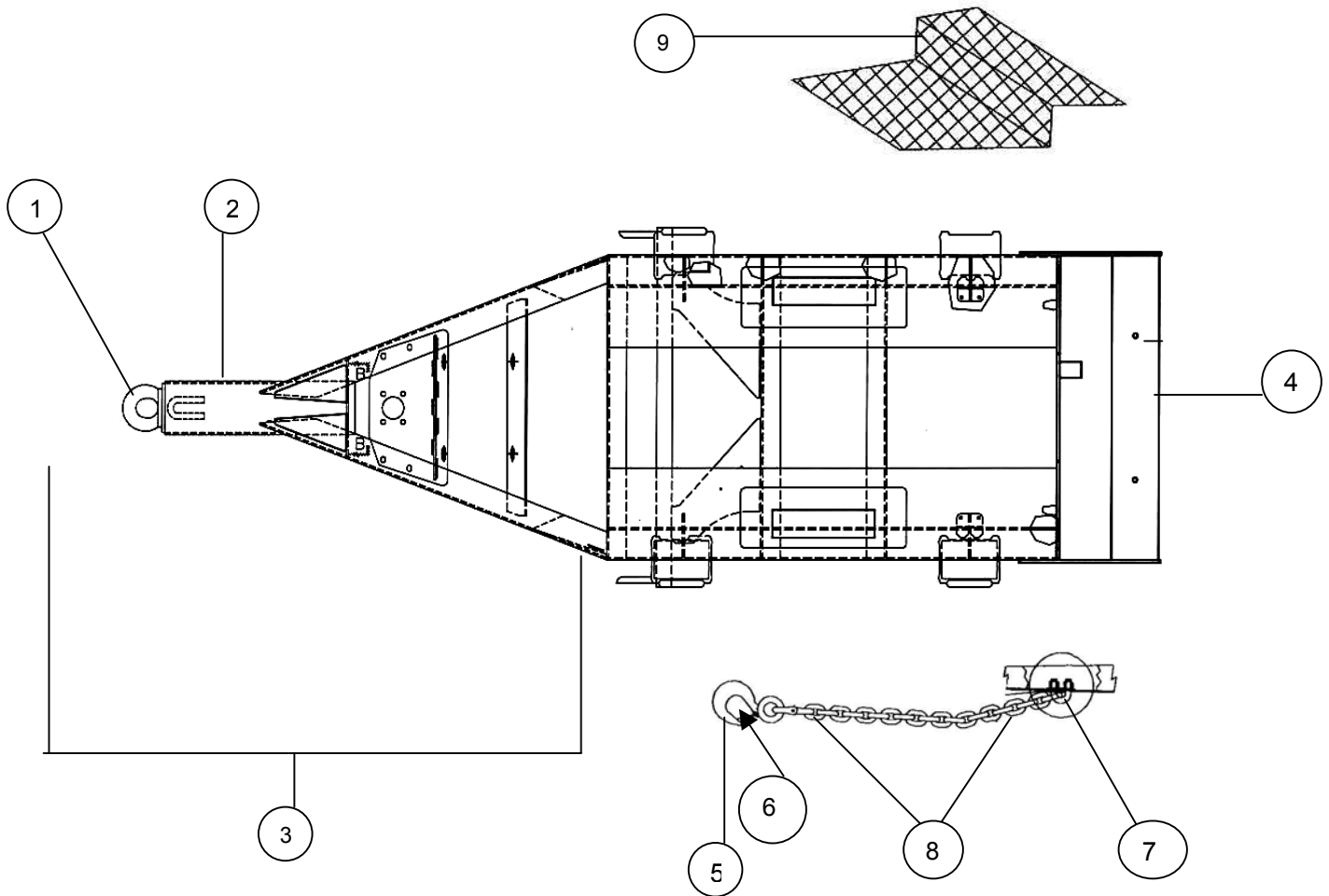
### **Uncoupling**

1. With vehicle at rest in a relaxed condition and landing gear down, (not being pushed together or pulled apart), pull fifth wheel handle outward and upward to lock the fifth wheel open.
2. Pull dolly slowly out from under the trailer.

### **Note**

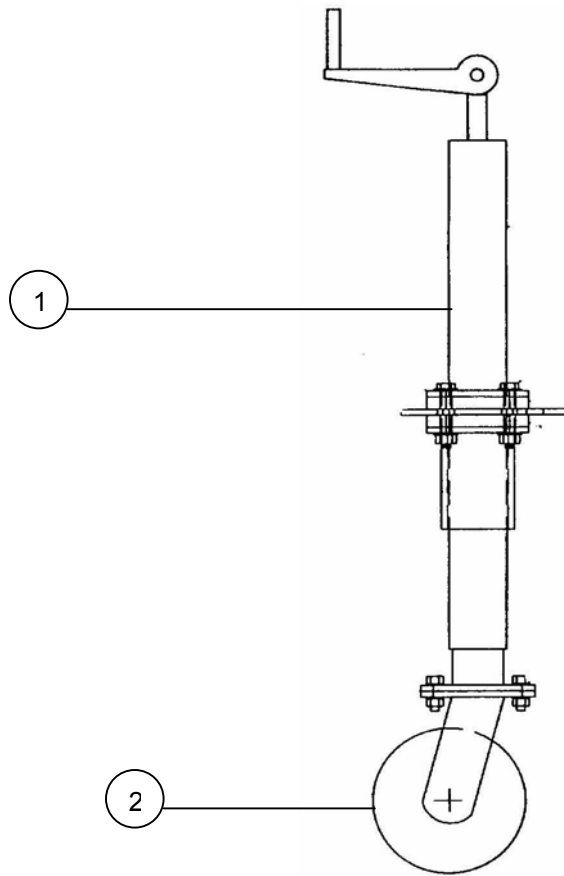
If the handle will not pull outward when the vehicle is in a relaxed condition, use landing gear to raise trailer and unload the dolly fifth wheel.

*Contact Silver Eagle Customer Service for video tape on coupling and uncoupling twin/double trailers.*



## FRAME ASSEMBLY

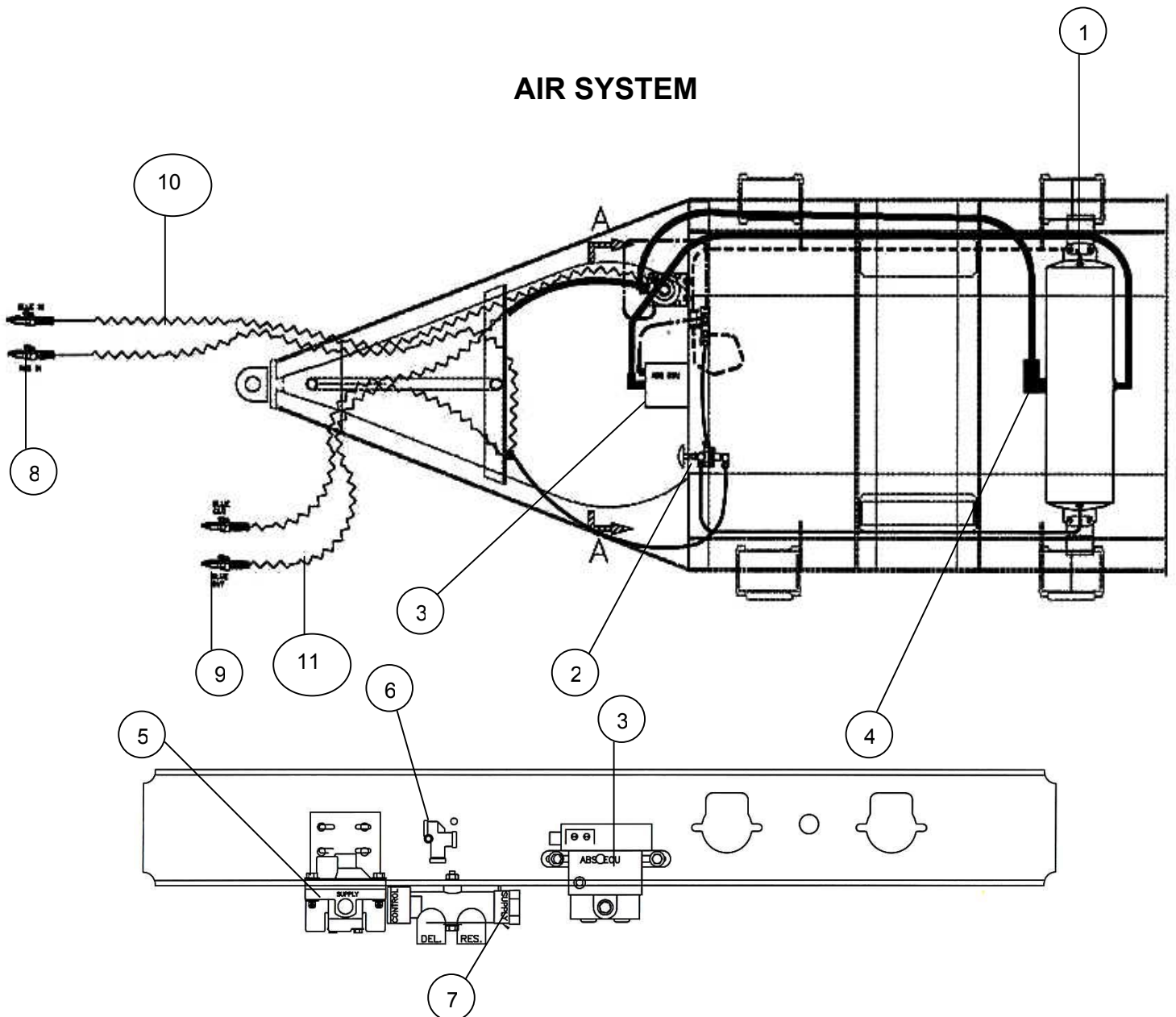
Item	SE Part Nbr	Description
1	2809	Eye, Sliding Drawbar, 45 Deg. Mtg
2	14873	Eye, Drawbar Weldment, 86" DWB, CSL
3	15240	Drawbar Kit, COMPLETE
4	14875	Tailplate Kit, Weld-On Counterweight
5	12230	Hook Clevis, 7 Ton W/ Safety Latch
6	11393	Safety Latch Kit, 7 Ton Hook
7	1625	Chain Anchor, 3/4" for 5/8" Chain
8	11911	Safety Chain 5/8" X 20", GR70
9	13049	Basket, Expanded, Metal
N/S	12778	Flap 24WX33L 45 Deg LH Anti-Spray W/Logo
N/S	12779	Flap 24WX33L 45 Deg RH Anti-Spray W/Logo
N/S	11711	Flap Hanger Set Betts B67NT
N/S	12082	Susp Hutch H9700 S FL/MT/WO 7/8 5 3/4



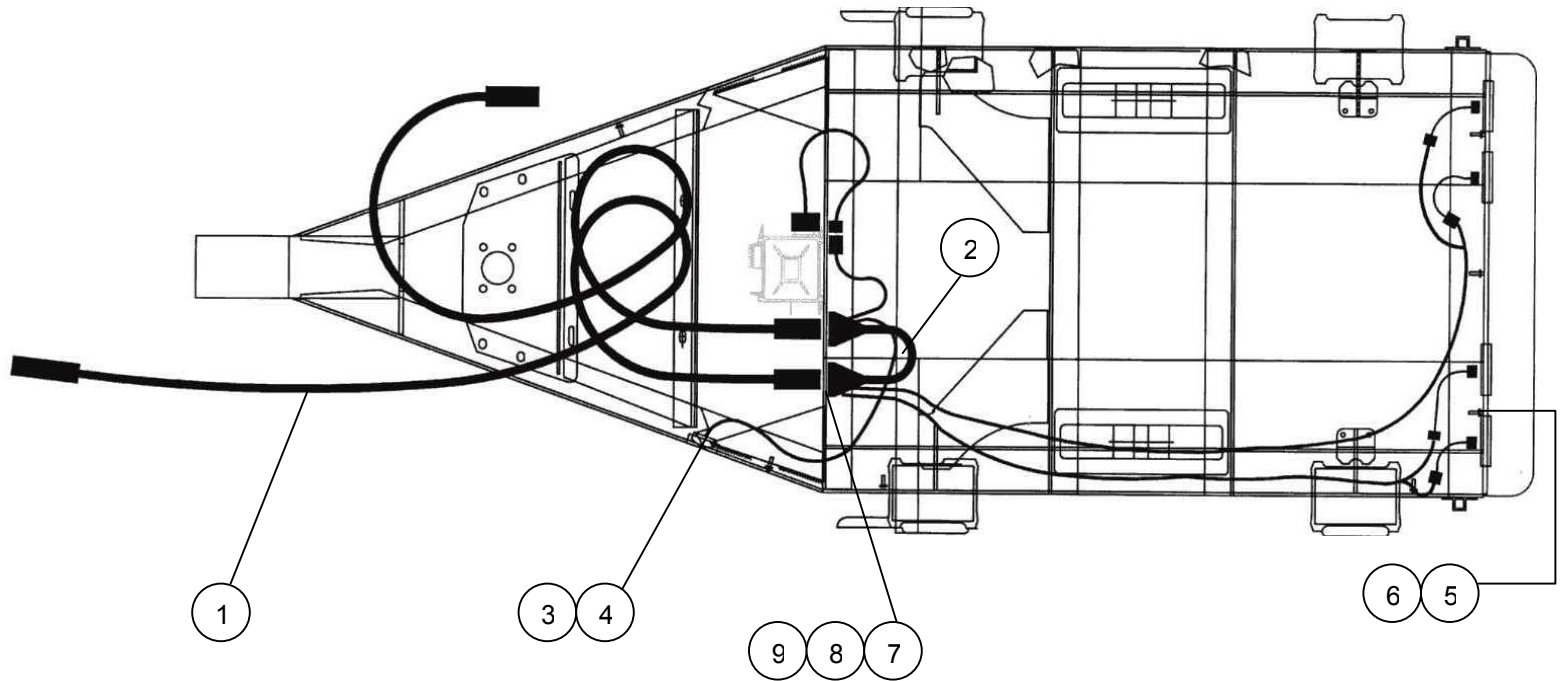
### JACK ASSEMBLY

Item	SE Part Nbr	Description
1	12653	Fixed Jack Assembly
2	1326	Caster W/6" Wheel

# AIR SYSTEM

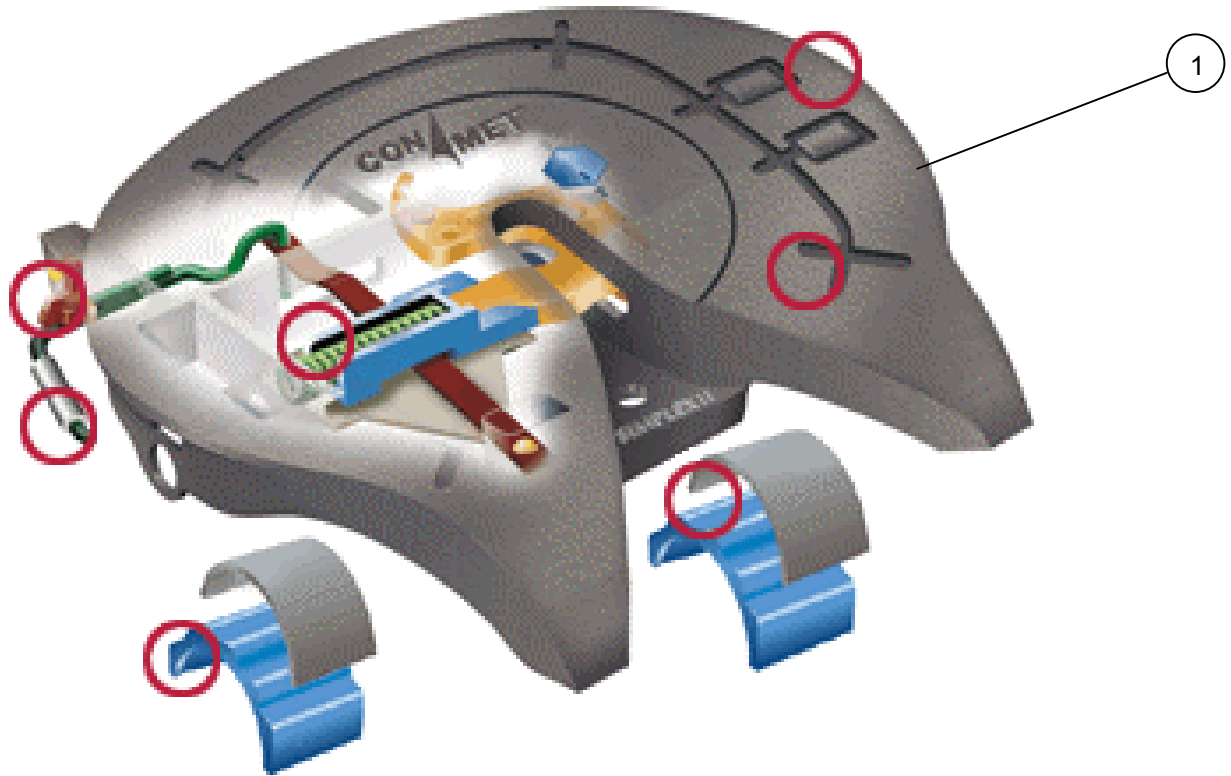


Item	SE Part Nbr	Description
1	2414	Air Reservoir Assy
2	1278	Valve, Push-Pull, PP-1
3	13738	Valve, Relay/ABS Control Meritor/WABCO, PLC
4	10748	Valve, Check, 90 Deg Style
5	9857	Valve, Control Line
6	12582	Valve, Pressure Protection
7	9858	Valve, Emergency Control
8	5855	Glandhand, Emergency, W/Full Face Red Seal
9	5854	Glandhand, Service, W/Full Face Blue Seal
10	14926	Hose, Air, 3/8 X 92, Rubber, 3/8 X 1/2 Conn
11	14924	Hose, Air, 3/8 X 92, Rubber, 1/2 X 1/2 Conn
NS	1775	Valve, Drain, Lever
NS	6302	Valve, Synchro, SV-4, W/Brthr & Check Valve



## ELECTRICAL SYSTEM

Item	SE Part Nbr	Description
1	10319	Cable 7-Way Straight 10' W/Plugs ABS
2	12585	Harness ABS, 2-Socket, 4-Light
3	9562	Lens, Amber, Trucklite, ABS
4	9563	Grommet, Lamp, Trucklite, Model 30
5	2508	Lamp, Red, Grote, (Lamp Only)
6	2509	Grommet, Lamp, Grote
7	2652	Capscrew, 5/16-18 UNC X 1-1/4, HX, GR 5, PTD
8	1646	Nut, 5/16-18 UNC, NYL INS, HEX, PTD
9	1454	Washer, 5/16, SAE, PTD



### FIFTHWHEEL

Item	SE Part Nbr	Description
1	14904	5 <sup>TH</sup> Wheel Simplex II LH Release

### AXLE ASSEMBLY

Item	SE Part Nbr	Description
N/S	14871W	Axle Assy 71.5 MA212 Int Cam ABS M, Complete