

UNITED PARCEL SERVICE

MODELS A80-36-UP & CST-20N-UP

ITEM	PART #	DESCRIPTION
		Section 1.1
		FRAME ASSY & KITS
		(Dwg 95-253C)
1	<i>Obsolete</i>	8815 FRAME KIT ASSY, -3 X 78, UPS, 1995
2		8698 DRAWBAR KIT, -3 X 78, UPS, 1995
NS		5656 EYE & SHANK ASSY, 3/8", HRDN, W/NUT
4		1171 EYE & SHANK , 3/8
3		1194 SHOCK HSG ASSY, HD, W/PAD, 3/8 HRDN
10		1468 SHOCK HOUSING, HD, W/"V" LEG, RUBBER PAD
11		1157 BUSHING, SHOCK ABSORBER, EYE & SHANK, RUBBER
12		15660 WASHER, HEX
14		15315 NUT, HEX
16		2397 SAFETY WIRE KIT, 5-1/4", W/FASTENERS
17		1226 SAFETY WIRE ASSY, 1/8 X 5-1/4
18		1178 CAPSCREW, 1/4-20 UNC X 1, HX, GR 5, PLTD
19		1564 WASHER, 1/4" X 1-1/4", FENDER, PLTD
20		1401 NUT, 1/4-20 UNC, METAL LOCK, HX, GR C, PLTD
21		1566 SCREW, 1/4-20 UNC X 3/4, WSHD, THD-FRMG, HX, PLTD
23		1671 HANDLE ASSY, HINGED, SIDE DWB
25		9618 V-LEG ASSEMBLY
46	<i>Obsolete</i>	1260 SIDE SUPPORT, DOLLY, BOLT-ON, LH, 5" RD
47	<i>Obsolete</i>	1315 SIDE SUPPORT, DOLLY, BOLT-ON, RH, 5" RD
76		8151 TAILFRAME, WLDMT, WELD-ON LIC., UPS
77		4564 BRACKET, AIR RESERVOIR, 4-7/8", FORMED, (96")
123		6180 HOLDER, HOOK, 1/2" DIA, DOLLY, BENT
144		6441 TILT STOP, COUNTERWEIGHT, FORMED, 31#, 3/8"
NS		1340 LOOP, FOOTMANS, STEEL
NS		1600 TILT STOP & COUNTERWEIGHT KIT, BARE
NS		2669 TILT STOP, BARE, MFG PRIOR TO 1995
NS		5244 INSTRUCTIONS, COUNTER WEIGHT INSTALLATION
NS		1647 SAFETY WIRE ASSY, 1/8 X 21-1/2
NS		1821 IDENTIFICATION PLATE, UNIVERSAL, 4 X 7, ALUM

Section 1.2

FIFTH WHEEL

60	<i>7988 Superseded by</i>	14816	5TH WHEEL TABLE ASSY, FRONT PULL
60		6350	5TH WHEEL ASSY, HOLLAND, RH RELEASE (Prior to 1995)
32		1172	WASHER, 5/8", FLAT, A325, HRDN, PLTD
33		1587	CAPSCREW, 5/8-11 UNC X 2, HX, GR 8, PLN
61		8944	JAW ASSY, HUCKED PUSHROD, LH
62		1477	LEVER, JAW, WITH HOLE, SERIES 60, 1/2"
64		1150	WASHER, 1/2", FLAT, SAE, PLTD
65		8820	NUT, 1/2-13 UNC, TOP LOCK, JAM, HX, GR 5, PLTD
68		8368	SPRING, JAW SERIES
69		1342	GUIDE, PUSHROD, SEMCO TABLE, 40-60
70		8254	HANDLE, PULL, LH, 5TH WHEEL
71		1601	NUT, 1/2-13 UNC, HX, FIN, GR 5, PLTD
73		3432	TRIP BLOCK KIT, LH, W/SPRING & FASTENERS
74		1123	SPRING, TRIP BLOCK, SERIES 10-60
75		1164	NUT, 5/8-11 UNC, METAL LOCK, HX, GR C, PLTD
150	<i>Obsolete</i>	8539	PUSHROD, PINNED, 36" TBL, SER 40-60
151		8535	WASHER, LOCK, TAB, 16 GA
NS		2356	LUBRICATION TUBE ASSY, UPS TABLE
NS		6797	TABLE CENTERING GAGE, 71-1/2" TRACK
NS		8052	BRACKET, FLAPHOLDER, FB-27 SPRING

Section 1.3

AXLE

NS		4798	SLACK ADJ, AUTO, 6", 28 SPLN, HALDEX, 1 PC
NS		5355	SHAFT, "S", CAM, LH 17-5/8, DANA AXLE
NS		5356	SHAFT, "S", CAM, RH 17-5/8, DANA AXLE
NS		5422	SHAFT, "S" CAM, RH, 20-5/8", DANA AXLE
NS		5423	SHAFT, "S" CAM, LH, 20-5/8", DANA AXLE
NS		6199	BUSHING KIT, "S" CAM, DANA

Section 1.4

SUSPENSION

48		1145	U-BOLT ASSY, 1x5x8, RT, W/NUTS & WASHERS
51		15398	DOUBLE BOOT HOUSING
52		1204	RUBBERS, SPRING BOOT, PAIR
53		1691	CAPSCREW, 5/8-11 UNC X 2-1/2, HX, GR 5, PLTD
54		1172	WASHER, 5/8", FLAT, A325, HRDN, PLTD
55		1164	NUT, 5/8-11 UNC, METAL LOCK, HX, GR C, PLTD
56		3539	SPRING ASSY, 7 LEAF W/LONG RBND, TECTYL
58		13461	PRESSURE PLATE, 4", MULTI-USE
59		1169	U-BOLT ASSY, 1x4x9, RT, W/NUTS & WASHERS
NS		7601	SPACER, SPRING LEAF, FLAT, 7-3/4, 1/2"

Section 1.6

SAFETY CHAINS & HOOKS

ASSEMBLIES & KITS

NS	7331	SAFETY CHAIN KIT, 5/8", RT U-BOLT, W/O HOOK- RETRO
NS	7332	SAFETY CHAIN KIT, 5/8", RT U-BOLT, W/O HOOK
NS	7650	CHAIN KIT, WRAPPER, 3/8x16, W/SLIP HOOK
NS	1902	CHAIN KIT, WRAPPER, 3/8" X 16", W/"S"-HOOK
NS	7655	U-BOLT KIT, RT, SAFETY CHAIN
NS	7317	U-BOLT, RT, SAFETY CHAIN, ZINC CHROMATE
NS	1164	NUT, 5/8-11 UNC, METAL LOCK, HX, GR C, PLTD
NS	7332	SAFETY CHAIN KIT, 5/8", RT U-BOLT, W/O HOOK
NS	1511	LINK, LOCKING, 5/8", GR 8
NS	11427	HOOK, EYE, 7 TON W/SAFETY LATCH
NS	1306	HOOK, CLEVIS SLIP, 3/8"
NS	1401	NUT, 1/4-20 UNC, METAL LOCK, HX, GR C, PLTD
NS	1524	SAFETY LATCH KIT, 7 TON HOOK

Section 1.7

AIR SYSTEM

ASSEMBLIES & KITS

(Dwg 95-176-1)

NS	6349	HOSE KIT, W/HOSES, GLADHANDS & SUSPENDERS
NS	7652	REINSTALLATION KIT, PP-1, 989062-989499
NS	7653	REINSTALLATION KIT, PP-1, 989000-989061
NS	7654	REINSTALLATION KIT, PP-1, 988999 & PRIOR,UPS
2	6688	VALVE, RELAY, R-12P
NS	1278	VALVE, PUSH-PULL, PP-1
NS	1381	VALVE RELAY, RE-6, 3/8" (#101197 UNITS 989061 AND PRIOR)
16	1562	VALVE, QR-N, W/BRKT
16	5981	VALVE, QR-N, W/O BRKT
27	1771	VALVE, CABLE DRAIN, W/1/4" NPT-M
30	1779	VALVE, RELAY, R-8P
43	6302	VALVE, SYNCHRO, SV-4, W/BRTHR & CHCK VLV
58	8818	CHAMBER, DELAY
58	8871	DELAY CHAMBER, W/LDMT KIT W/QRN & FTGS
66	6294	VALVE, PR-3 (UNITS BEG 989062)
NS	6325	VALVE, EXHAUST (BREATHING), BENDIX
NS	1772	VALVE, CHECK, SC-1, 1/2" NPT, BENDIX
11	1826	ELBOW, ST, 90, 3/8 NPT-M X 3/8 NPT-F, BR
26	8913	AIR RES, SIDE DRAIN, 1425 CII
NS	2414	RESERVOIR, 9508 SERIES, 1488 CI, 32" DIA X 29" LG W/PLUG (UNITS 979273 AND PRIOR) SHORT
NS	2405	RESERVOIR ASSY, 8000 SERIES, 1425 CI, 27" DIA X 34" LG W/PLUG (UNITS BEG 979274) LONG
37	1646	NUT, 5/16-18 UNC, NYL INS, HX, PLTD
39	1454	WASHER, 5/16", SAE, PLTD
40	1181	FITTING, BULKHEAD, BR
54	8100	GLADHAND, COMPRESSION SEAL, TRAMEC, P-YELLOW
54	8131	GLADHAND, UNIV, W/COMP SEAL, TRAMEC

54	8090	GLADHAND, W/COMP SEAL, TRAMEC, P. RED
57	8089	GLADHAND, W/FULL-FACE SEAL, TRAMAC, P-RED
57	8130	GLADHAND, UNIV, W/FULL-FACE SEAL
NS	6333	NIPPLE, 1/4 NPT-M X 3-1/2, STL, SCH 80, GALV
NS	1483	VALVE PLATE COVER, PRIOR TO CAR #989000
NS	6238	VALVE PLATE COVER, PAINTED, BEG # 989000
NS	1322	CAPSCREW, 5/16-18 UNC X 1, HX, GR 5, PLTD
NS	1855	BRACKET, MOUNT, R8P/PP1 VALVE, 3/16"
NS	6303	EYE BOLT, TURNED, 1/4 X 1-1/2, W/NUT, STNLS
NS	6989	VALVE PLATE REINFORCEMENT KIT/INSTALATION UPS
NS	7817	TETHER REPLACEMENT KIT, UPS
NS	1913	CLAMP, HOSE AND ELEC, 3-HOLE
NS	8505	BULKHEAD KIT, LONG, W/WASHERS

Section 1.8

ELECTRICAL SYSTEM

(Dwg 95-283 Rev C)

NS	1662	LIGHT FLAP FRAME & ELECRICAL SYSTEM ASSY
NS	3241	ELECTRICAL HARNESS ASSY, W/MOUNTING PLATE (FOR OLD LIGHT/FLAP FRAME IWHT BURNED CENTER HOLE) ALL OTHERS USE PART NUMBER 2396
1	2396	HARNESS, 4-LGT, W/7-WAY PLUG, UPS
2	8334	CABLE, 7-WAY, XHD, STRAIGHT, 12' 8",W/PLUGS
5	6265	LAMP, RED, TRUCK LITE, SUPER 40, (LAMP ONLY)
NS	2508	LAMP, GROTE, RED (LAMP ONLY)
NS	1892	REFLECTOR, RECTANGULAR, SHATTER-PROOF, RED
6	4703	BRACKET, MOUNTING, GREY, W/EXT, LIC LGT, UPS
NS	4332	PLATE, ADAPETER, PAINTED, MODEL 40 LAMP
NS	1428	BRACKET, LICENSE PLATE LIGHT
7	4702	LAMP, SEALED, CLEAR, W/GASKET, LIC LGT, UPS

Section 1.10

MISCELLANEOUS

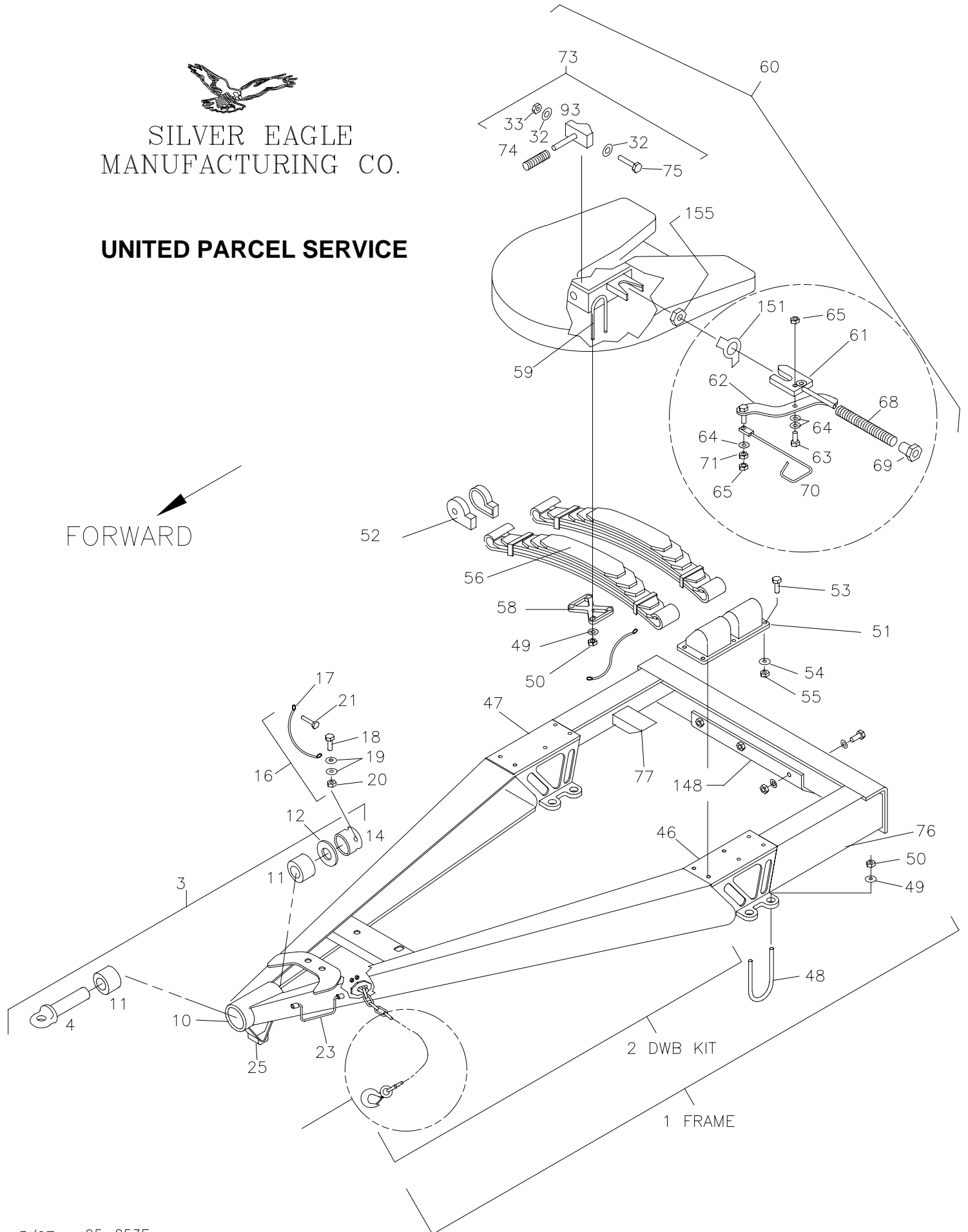
NS	1928	STRAP, TIEDOWN, W/O HOOKS, RUBBER
NS	4607	BULKHEAD KIT, W/WASHERS
NS	6291	WASHER, 1/4, FLAT, STNLS
NS	6296	NUT, 1/4-20 UNC, 18-8 STST, NYLOK, STNLS
NS	6300	CAPSCREW, 1/4-20 UNC X 1, HX, STNLS
NS	1118	REGISTRATION BOX, 8 X 13 ALUMINUM
NS	7817	TETHER REPLACEMENT KIT, UPS

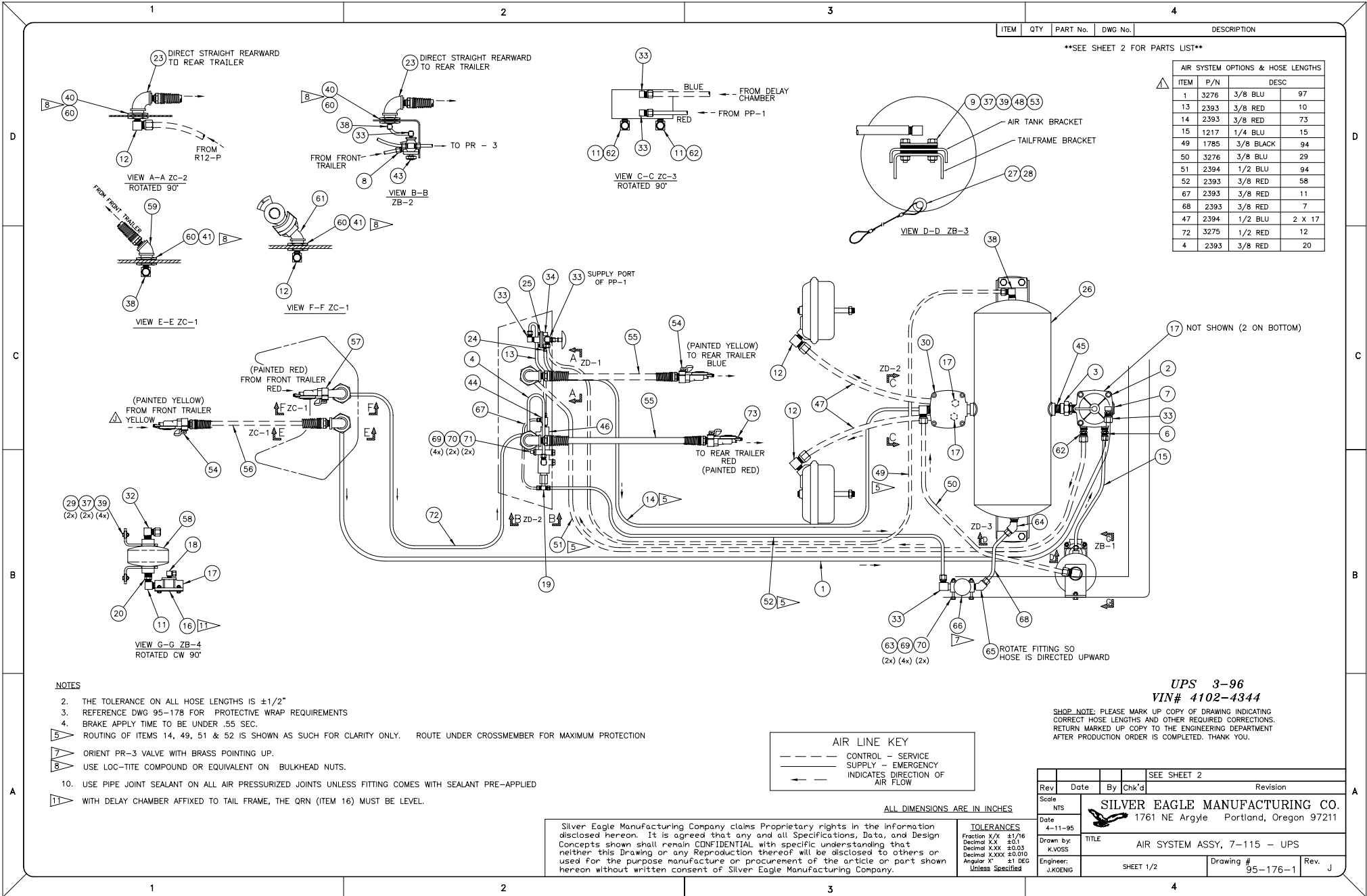


SILVER EAGLE
MANUFACTURING CO.

UNITED PARCEL SERVICE

FORWARD





ITEM	QTY	PART No.	DWG No.	DESCRIPTION
------	-----	----------	---------	-------------

SEE SHEET 2 FOR PARTS LIST

AIR SYSTEM OPTIONS & HOSE LENGTHS				
ITEM	P/N	DESC		
1	3276	3/8 BLU	97	
13	2393	3/8 RED	10	
14	2393	3/8 RED	73	
15	1217	1/4 BLU	15	
49	1785	3/8 BLACK	94	
50	3276	3/8 BLU	29	
51	2394	1/2 BLU	94	
52	2393	3/8 RED	58	
67	2393	3/8 RED	11	
68	2393	3/8 RED	7	
47	2394	1/2 BLU	2 X 17	
72	3275	1/2 RED	12	
4	2393	3/8 RED	20	

- NOTES**
- THE TOLERANCE ON ALL HOSE LENGTHS IS $\pm 1/2"$
 - REFERENCE DWG 95-178 FOR PROTECTIVE WRAP REQUIREMENTS
 - BRAKE APPLY TIME TO BE UNDER .55 SEC.
 - ROUTING OF ITEMS 14, 49, 51 & 52 IS SHOWN AS SUCH FOR CLARITY ONLY. ROUTE UNDER CROSSMEMBER FOR MAXIMUM PROTECTION
 - ORIENT PR-3 VALVE WITH BRASS POINTING UP.
 - USE LOC-TITE COMPOUND OR EQUIVALENT ON BULKHEAD NUTS.
 - USE PIPE JOINT SEALANT ON ALL AIR PRESSURIZED JOINTS UNLESS FITTING COMES WITH SEALANT PRE-APPLIED
 - WITH DELAY CHAMBER AFFIXED TO TAIL FRAME, THE ORN (ITEM 16) MUST BE LEVEL.

AIR LINE KEY	
---	CONTROL - SERVICE
---	SUPPLY - EMERGENCY
→	INDICATES DIRECTION OF AIR FLOW

ALL DIMENSIONS ARE IN INCHES

Silver Eagle Manufacturing Company claims Proprietary rights in the information disclosed herein. It is agreed that any and all Specifications, Data, and Design Concepts shown shall remain CONFIDENTIAL with specific understanding that neither this Drawing or any Reproduction thereof will be disclosed to others or used for the purpose manufacture or procurement of the article or part shown hereon without written consent of Silver Eagle Manufacturing Company.

TOLERANCES	
Fraction X/X	$\pm 1/16$
Decimal X.X	± 0.1
Decimal X.XX	± 0.03
Decimal X.XXX	± 0.010
Angular °	± 1 DEG
Unless Specified	

UPS 3-96
VIN# 4102-4344

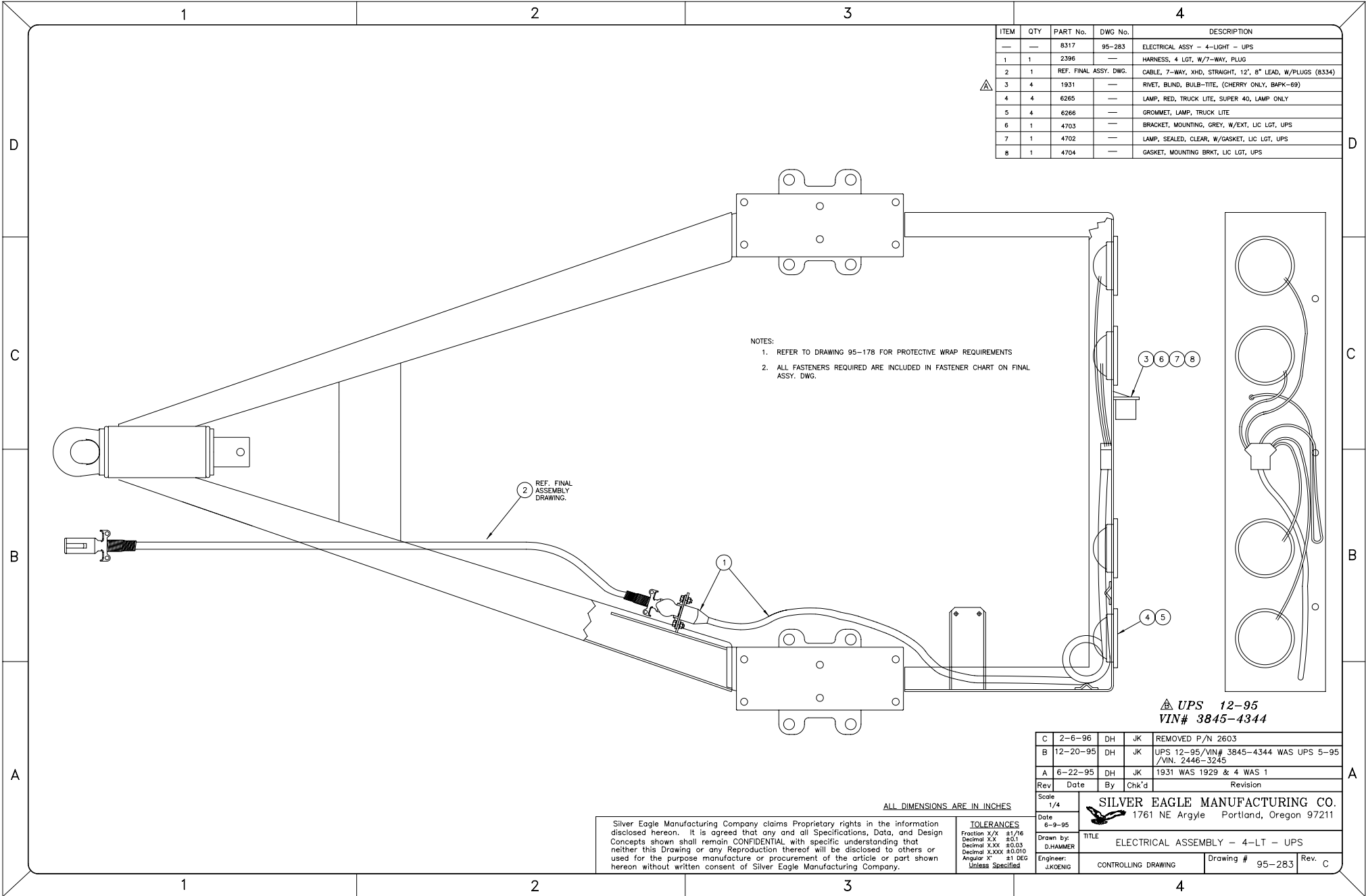
SHOP NOTE: PLEASE MARK UP COPY OF DRAWING INDICATING CORRECT HOSE LENGTHS AND OTHER REQUIRED CORRECTIONS. RETURN MARKED UP COPY TO THE ENGINEERING DEPARTMENT AFTER PRODUCTION ORDER IS COMPLETED. THANK YOU.

Rev	Date	By	Chk'd	SEE SHEET 2	Revision
Scale	N/A				
Date	4-11-95				
Drawn by	K.VOSSE				
Engineer	J.KOENIG				

SILVER EAGLE MANUFACTURING CO.
1761 NE Argyle Portland, Oregon 97211

TITLE	Drawing #	Rev.
AIR SYSTEM ASSY, 7-115 - UPS	95-176-1	J

SHEET 1/2




ITEM	QTY	PART No.	DWG No.	DESCRIPTION
—	—	8317	95-283	ELECTRICAL ASSY - 4-LIGHT - UPS
1	1	2396	—	HARNESS, 4 LGT, W/7-WAY, PLUGS
2	1	REF. FINAL ASSY. DWG.	—	CABLE, 7-WAY, XHD, STRAIGHT, 12', 6" LEAD, W/PLUGS (8334)
3	4	1931	—	RIVET, BLIND, BULB-TITE, (CHERRY ONLY, BAPK-69)
4	4	6265	—	LAMP, RED, TRUCK LITE, SUPER 40, LAMP ONLY
5	4	6266	—	GROMMET, LAMP, TRUCK LITE
6	1	4703	—	BRACKET, MOUNTING, GREY, W/EXT, LIC LGT, UPS
7	1	4702	—	LAMP, SEALED, CLEAR, W/GASKET, LIC LGT, UPS
8	1	4704	—	GASKET, MOUNTING BRKT, LIC LGT, UPS

NOTES:
 1. REFER TO DRAWING 95-178 FOR PROTECTIVE WRAP REQUIREMENTS
 2. ALL FASTENERS REQUIRED ARE INCLUDED IN FASTENER CHART ON FINAL ASSY. DWG.

2 REF. FINAL ASSEMBLY DRAWING.

UPS 12-95
 VIN# 3845-4344

C	2-6-96	DH	JK	REMOVED P/N 2603
B	12-20-95	DH	JK	UPS 12-95/VIN# 3845-4344 WAS UPS 5-95 /VIN. 2446-3245
A	6-22-95	DH	JK	1931 WAS 1929 & 4 WAS 1
Rev	Date	By	Chk'd	Revision

Scale	1/4	 SILVER EAGLE MANUFACTURING CO. 1761 NE Argyle Portland, Oregon 97211	
Date	6-9-95		
Drawn by:	D.HAMMER	TITLE	ELECTRICAL ASSEMBLY - 4-LT - UPS
Engineer:	J.KOENIG	CONTROLLING DRAWING	Drawing # 95-283 Rev. C

Silver Eagle Manufacturing Company claims Proprietary rights in the information disclosed hereon. It is agreed that any and all Specifications, Data, and Design Concepts shown shall remain CONFIDENTIAL with specific understanding that neither this Drawing or any Reproduction thereof will be disclosed to others or used for the purpose manufacture or procurement of the article or part shown hereon without written consent of Silver Eagle Manufacturing Company.

TOLERANCES	
Fraction X/X	±1/16
Decimal XX	±0.1
Decimal XXX	±0.03
Decimal XXXX	±0.010
Angular °	±1 DEG
Unless Specified	

ALL DIMENSIONS ARE IN INCHES